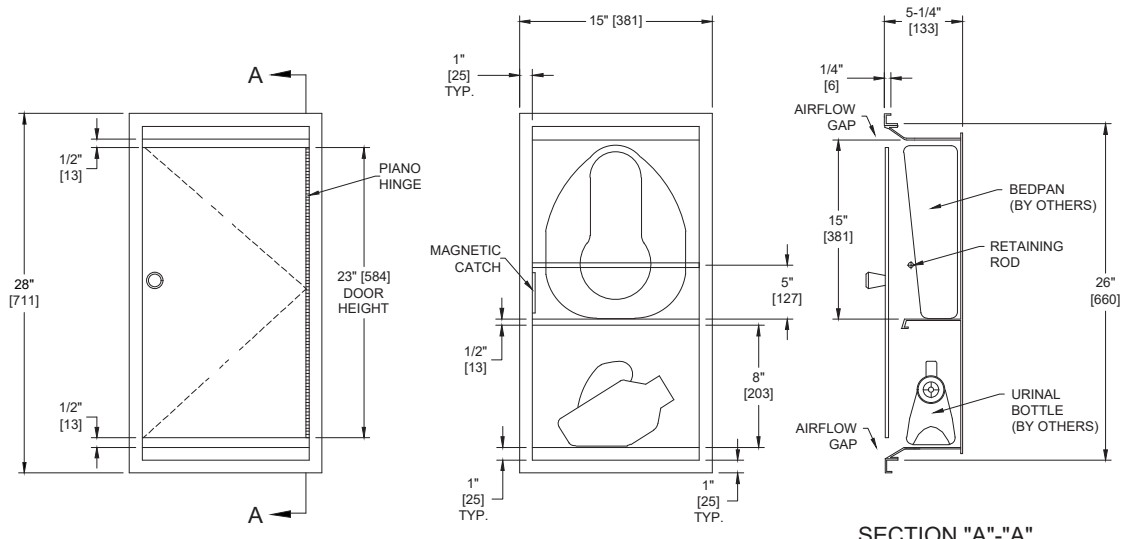


**Bed Pan & Urinal Cabinet – Recessed**

Healthcare Accessories

MasterFormat Section 10 28 13



Scan for Information



**SUSTAINABILITY/LEED**

MR 4.1 (1) MR 6 (1) EQ 4.2 (1)  
MR 4.2 (1) EQ 4.1 (1) EQ 4.4 (1)

**LEGEND FOR SECTION**

- |                       |                                     |
|-----------------------|-------------------------------------|
| 1. Piano hinge        | 4. Retaining rod                    |
| 2. Magnetic catch     | 5. Urinal bottle (by others)        |
| 3. Bedpan (by others) | 6. Airflow gap top & bottom of door |

**NOTE:**  
ALL DIM'S INCH (MM)  
ILLUSTRATION FOR REF ONLY AND NTS  
\* THESE DIMENSIONS TO SUIT PHYSICAL SAMPLES OF UTENSILS

**PRODUCT OVERVIEW**

Holds one (1) bedpan and one (1) urinal bottle (by others, of types indicated on shop fabrication drawings). Cabinet door is 1/2" [13] thick double-pan construction with No-Flex core and is mounted to cabinet body on a heavy-duty 3/16" diameter [Ø4,8] stainless steel multi-staked piano hinge, held closed by a magnetic catch. An open space 1/2" [13] high provided across top and bottom of door to allow convection airflow. Cabinet includes one (1) 3/8" diameter [Ø10] solid stainless steel rod bedpan holder and one (1) stainless steel shelf. Physical bed pan (by others, not included) and urinal bottle (by others, not included) are required to check for proper fit.

**KEY FEATURES & SPECIFICATIONS**

- Cabinet keeps urinal hidden
- 22 gauge Type 304 Stainless Steel, Alloy 18-8 - Satin Finish
- Heavy duty stainless steel multi-staked 3/16" diameter [Ø5] piano hinge and is held closed by a magnetic catch.
- Recessed

**OPERATION & MAINTENANCE**

Cabinet door is held shut with an easy opening magnetic catch. The bedpan is stored on the shelf and held in place by a stainless steel rod. The urinal bottle is stored in the bottom of the cabinet. An open space across the top and bottom of the door allows air to circulate by convection.

**TECHNICAL INFORMATION / PRODUCT PROPERTIES**

| Property     | Value                                                        |
|--------------|--------------------------------------------------------------|
| Dimensions   | 15" [381] W x 28" [711] H x 5-1/4" [133] D                   |
| Construction | Type 304 Stainless Steel - Satin Finish                      |
| Mounting     | Recessed                                                     |
| Capacity     | Holds one (1) conventional type bedpan and one (1) washbasin |

**INSTALLATION**

For compliance with 2010 ADA Accessibility Standards, install unit so that bedpan shelf is 48" [1219] maximum Above Finished Floor (AFF). Secure recessed cabinet to wall with #10 self-threading screws (by others) through concealed mounting holes.

Rough Wall Opening (RWO) required is 13-3/8" [340] W x 26-1/2" [673] H x 5-3/8" [137] D

**WARRANTY**

One (1) Year from date of Invoice