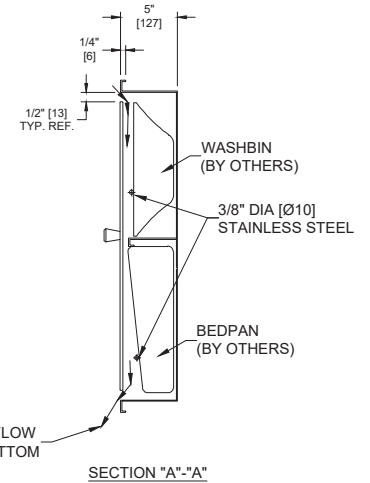
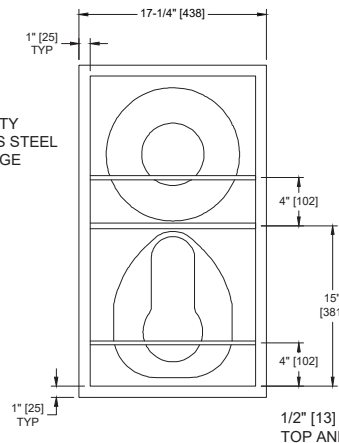
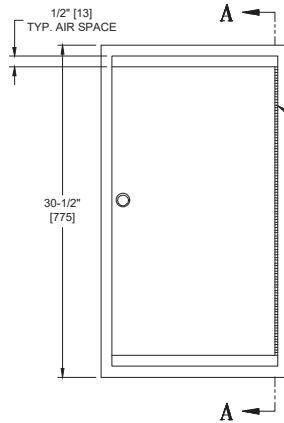


Bed Pan & Washbasin Cabinet – Recessed

Healthcare Accessories

MasterFormat Section 10 28 13



Scan for Information



SUSTAINABILITY/LEED

MR 4.1 (1) MR 6 (1) EQ 4.2 (1)
MR 4.2 (1) EQ 4.1 (1) EQ 4.4 (1)

NOTE:
ALL DIM'S INCH [MM]
ILLUSTRATION FOR REF ONLY AND NTS

PRODUCT OVERVIEW

Holds one (1) conventional type bedpan and one (1) washbasin (by others, of types indicated on shop fabrication drawings). Cabinet door is double-pan construction with No-Flex core and shall be hung on cabinet body with a 3/16" diameter [Ø5] heavy duty stainless steel multi-staked piano hinge and is held closed by magnetic catch. Cabinet includes 1/2" [13] open space across top and bottom of door to allow convection air flow. The washbasin is stored on the shelf and the bedpan is stored on the bottom of the cabinet. Both utensils are held in place by stainless steel rods.

KEY FEATURES & SPECIFICATIONS

- Cabinet keeps bed pan hidden
- Type 304 Stainless Steel , Alloy 18-8 22 gauge - Satin Finish
- Heavy duty stainless steel multi-staked 3/16" diameter [Ø5] piano hinge
- Recessed

OPERATION & MAINTENANCE

The washbasin is stored on the shelf and the bedpan is stored on the bottom of the cabinet. Both utensils are held in place by stainless steel rods. An open space across the top and bottom of the door allows air to circulate by convection.

TECHNICAL INFORMATION / PRODUCT PROPERTIES

Property	Value
Dimensions	17-1/4" [438] W x 30-1/2" [768] H x 5" [127] D
Construction	Type 304 Stainless Steel - Satin Finish
Mounting	Recessed
Capacity	Holds one (1) conventional type bedpan and one (1) washbasin

INSTALLATION

For compliance with 2010 ADA Accessibility Standards, install unit so that top holder rod is 48" [1219] maximum Above Finished Floor (AFF). Secure recessed cabinet to wall with #10 self-threading screws (by others) through concealed mounting holes.

Rough Wall Opening (RWO) required is 15-3/4" [400] W x 29" [737] H x 5" [127] D minimum

WARRANTY

One (1) Year from date of Invoice