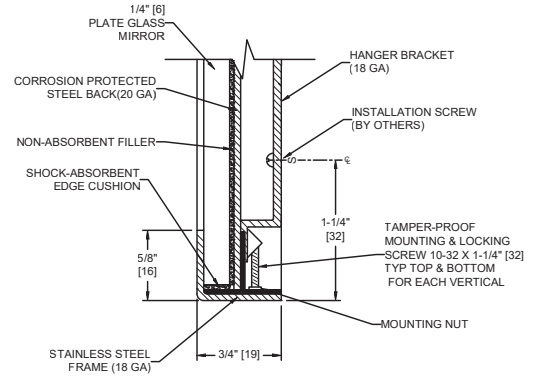
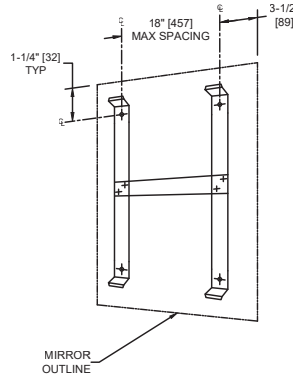
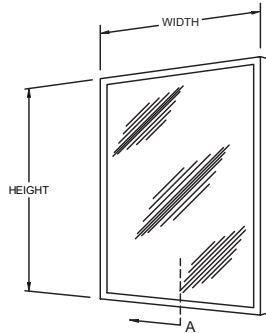


Stainless Steel Inter-Lok Angle Frame – Plate Glass Mirror - Variable Sizes

Mirrors

MasterFormat Section 10 28 13



Scan for Information



SUSTAINABILITY/LEED

MR 4.1 (1) MR 6 (1) EQ 4.2 (1)
MR 4.2 (1) EQ 4.1 (1) EQ 4.4 (1)

NOTE:
ALL DIM'S INCH [MM]
ILLUSTRATION FOR REF ONLY AND NTS
FOR CLEANING INSTRUCTIONS SEE APPROPRIATE SECTIONS IN
PRODUCT CARE & MAINTENANCE BULLETIN (PCM) ON ASI WEBSITE

PRODUCT OVERVIEW

3/4" [19] x 5/8" [16] roll formed 18 gauge type 304, alloy 18-8 stainless steel angle has corners heliarc welded, ground and polished smooth to a uniform satin finish. Mirror is installed on a concealed hanging bracket that locks onto top and bottom of frame by tamper-proof set screws. Back plate is one piece, attached to frame with theft-resistant locking device.

KEY FEATURES & SPECIFICATIONS

- Roll formed, interlocking frame has heliarc welded corners
- Corners are polished smooth to a uniform satin finish.
- Type 304, alloy 18-8 stainless steel - Satin Finish Frame
- Plate Glass Mirror
- Surface Mounted
- Various sizes and glazing options

TECHNICAL INFORMATION / PRODUCT PROPERTIES

Property	Value
Dimensions	Various sizes and glazing options
Construction	Type 304, alloy 18-8 stainless steel - Satin Finish Frame Plate Glass Mirror
Mounting	Surface Mounted
Materials	<p>Frame: 18-8, type 304, 18 gauge (.048" [1.2] thick) stainless steel. Unitized all welded construction. Corners mitered, welded and polished. Exposed surfaces have satin finish. Edges and corners are burr free.</p> <p>Glass: Standard glazing is #1 quality, 1/4" [6.4] thick plate/float, silver coated and hermetically sealed with a uniform coating of electrolytic copper plating, warranted against silver spoilage for 15 years. Mirrors meet Federal Spec. DD-M-411C, ASTM C-1503, and ASTM C-1036-91.</p> <p>Filler: Expanded polyethylene microcell foam sheet material, abrasion resistant and shock absorbing, water resistant, 1/8" [3.2] total layer thickness.</p>

INSTALLATION

Install bracket level and plumb as per diagram location using #10 self-threading screws (by others). Hang mirror on bracket and tighten locking screws at top & bottom. For compliance with 2010 ADA Accessibility Standards and 2015 ABA Standards, bottom edge of reflecting surface should be no higher than 40" [1016] Above Finished Floor.

SIZE OPTIONS

Plate Glass	0600-1620 - 16" [406] wide x 20" [508] high	0600-1624 - 16" [406] wide x 24" [610] high
	0600-1630 - 16" [406] wide x 30" [762] high	0600-1824 - 18" [457] wide x 24" [610] high
	0600-1830 - 18" [457] wide x 30" [762] high	0600-1836 - 18" [457] wide x 36" [914] high
	0600-2060 - 20" [508] wide x 60" [1524] high	0600-2430 - 24" [610] wide x 30" [762] high
	0600-2436 - 24" [610] wide x 36" [914] high	0600-2442 - 24" [610] wide x 42" [1067] high
	0600-2448 - 24" [610] wide x 48" [1219] high	0600-2460 - 24" [610] wide x 60" [1524] high
	0600-2472 - 24" [610] wide x 72" [1829] high	0600-3036 - 30" [762] wide x 36" [914] high
	0600-3636 - 36" [914] wide x 36" [914] high	0600-3648 - 36" [914] wide x 48" [1219] high
	0600-4830 - 48" [1219] wide x 30" [762] high	0600-4836 - 48" [1219] wide x 36" [914] high
	0600-6036 - 60" [1524] wide x 36" [914] high	0600-7236 - 72" [1829] wide x 36" [914] high
Tempered Glass	0600-B1824 - 18" [457] wide x 24" [610] high	0600-B1830 - 18" [457] wide x 30" [762] high
	0600-B1836 - 18" [457] wide x 36" [914] high	0600-B2430 - 24" [610] wide x 30" [762] high
	0600-B2436 - 24" [610] wide x 36" [914] high	0600-B2448 - 24" [610] wide x 48" [1219] high
	0600-B2460 - 24" [610] wide x 60" [1524] high	0600-B2472 - 24" [610] wide x 72" [1829] high
Stainless Steel w/ #8 Finish	0600-C1418 - 14" [356] wide x 18" [457] high	0600-C1824 - 18" [457] wide x 24" [610] high
	0600-C1830 - 18" [457] wide x 30" [762] high	0600-C2430 - 24" [610] wide x 30" [762] high
	0600-C2436 - 24" [610] wide x 36" [914] high	0600-C2460 - 24" [610] wide x 60" [1524] high

GLAZING OPTIONS

(A) Plate Glass - 1/4" [6.4] #1 quality polished, silver coated and hermetically sealed with an electrolytic copper plating. Mirrors meet Federal Spec. No. DD-M-411C, ASTM C-1503 and ASTM-C-1036-91. Image quality: Excellent

(B) Tempered Glass - 1/4" [6.4] thick polished tempered glass with two coats of silver. Hermetically sealed with an electrolytic copper plating. Back of mirror is finished and protected with a heavy waterproof paint. Glazing meets Federal Specification No. DD-G1403B, Amendment 1, ASTM C-1503 and ASTM-C-1048-92. Image quality: Good

(C) Metal Mirrors - Type 304 alloy 18-8 stainless steel, 20 gauge polished to a #8 mirror finish. Image quality: Good

(D) Lexan Dura-Mirror - 1/4" [6.4] impact resistant polycarbonate sheet. Mirror face is provided with removable masking to prevent scratching during installation. Image quality: Very Good

(E) Plexiglas® - 1/4" [6.4] thick acrylic plastic, lightweight and highly shock resistant. Image quality: Very Good

(L) Mirror is fabricated with a 1/32" [0.8] thick vinyl interlayer bonded between two 1/8" [3] sheets of #1 quality polished plate glass with back silver. Hermetically sealed with a uniform coating of electrolytic copper plating. Back of mirror is finished and protected with a heavy-duty waterproof paint. Laminated glass meets the performance criteria of Federal Spec. No. DD-M-451 and ANSI Z87.1 and complies with CPSC standards 16 CR 1201 (1) 11. Image quality: Excellent

WARRANTY

Warranted against silver spoilage for 15 years from date of Invoice