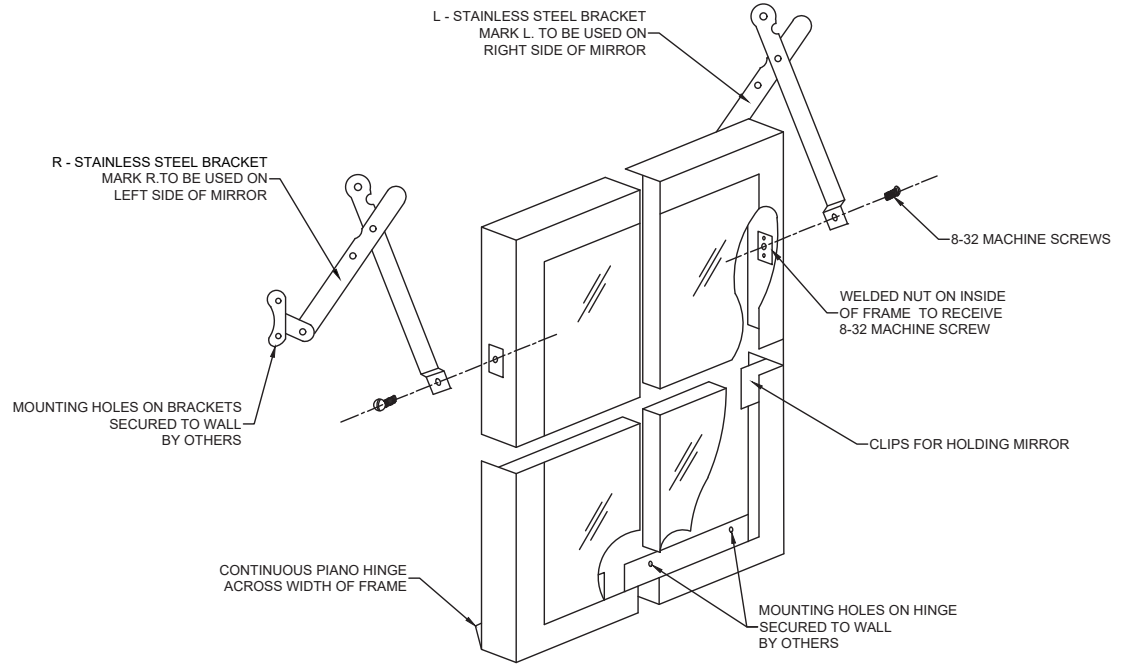


Adjustable Tilt Inter-Lok Plate Glass Mirror - Variable Sizes

Mirrors

MasterFormat Section 10 28 13



Scan for Information



SUSTAINABILITY/LEED

MR 4.1 (1) MR 6 (1) EQ 4.2 (1)
MR 4.2 (1) EQ 4.1 (1) EQ 4.4 (1)

NOTE:
ALL DIM'S INCH [MM]
ILLUSTRATION FOR REF ONLY AND NTS
FOR CLEANING INSTRUCTIONS SEE APPROPRIATE SECTIONS IN
PRODUCT CARE & MAINTENANCE BULLETIN (PCM) ON ASI WEBSITE

PRODUCT OVERVIEW

Designed to provide easy visibility for wheelchair patients or return to upright position. Angle frame fabricated of 18 gauge stainless steel with corners welded and ground smooth. Tilts a full 6" [152] with bottom mounted on full width stainless steel piano hinge.

KEY FEATURES & SPECIFICATIONS

- Adjustable Tilt - upto a full 6"
- Bottom of the mirror is mounted on full width stainless steel piano hinge.
- Type 304, alloy 18-8 stainless steel - Satin Finish Frame
- Plate Glass Mirror
- Surface Mounted
- Roll formed - Inter-Lok Frame has heliarc welded corners (polished to a smooth finish)
- Various sizes and glazing options

TECHNICAL INFORMATION / PRODUCT PROPERTIES

| Property | Value |
|--------------|--------------------------------------------------------------------------------------------------------------------------------------------------------------------------------------------------------------------------------------------------------------------------------------------------------------------------------------------------------------------------------------------------------------------------------------------------------------------------------------------------------------------------------------------------------------------------------------------------------------------------------------------------------------------------------------------------------------------------------------------------------------------------------------------------------------------------------------------------------|
| Dimensions | Various sizes and glazing options |
| Construction | Type 304, alloy 18-8 stainless steel - Satin Finish Frame Plate Glass Mirror |
| Mounting | Surface Mounted |
| Materials | <p><u>Frame:</u> 18-8, type 304, 18 gauge (.048" [1.2] thick) stainless steel. Unitized all welded construction. Corners mitered, welded and polished. Exposed surfaces have satin finish. Edges and corners are burr free.</p> <p><u>Glass:</u> Standard glazing is #1 quality, 1/4" [6.4] thick plate/float, silver coated and hermetically sealed with a uniform coating of electrolytic copper plating, warranted against silver spoilage for 15 years. Mirrors meet Federal Spec. DD-M-411C, ASTM C-1503, and ASTM C-1036-91.</p> <p><u>Filler:</u> Expanded polyethylene microcell foam sheet material, abrasion resistant and shock absorbing, water resistant, 1/8" [3.2] total layer thickness.</p> <p><u>Brackets:</u> Stainless steel alloy 18-8, type 304, 16 gauge, rounded edges with stainless steel hinge pivot and internal lock.</p> |

INSTALLATION

Place brackets right and left of mirror frame using #8-32 machine screws (supplied). Secure piano hinge to wall with #10 self-threading screws (by others). Mount pivot brackets to wall. For compliance with 2010 ADA Accessibility Standards and 2015 ABA Standards, bottom edge of reflecting surface should be no higher than 40" [1016] Above Finished Floor.

SIZE OPTIONS

| | | |
|----------------|----------------------------------------------|----------------------------------------------|
| Tempered Glass | 0600-T1624 - 16" [406] wide x 24" [610] high | 0600-T1630 - 16" [406] wide x 30" [762] high |
| | 0600-T1824 - 18" [457] wide x 24" [610] high | 0600-T1830 - 18" [457] wide x 30" [762] high |
| | 0600-T1836 - 18" [457] wide x 36" [914] high | |
| | | 0600-T2436 - 24" [610] wide x 36" [914] high |

GLAZING OPTIONS

(A) Plate Glass - 1/4" [6.4] #1 quality polished, silver coated and hermetically sealed with an electrolytic copper plating. Mirrors meet Federal Spec. No. DD-M-411C, ASTM C-1503 and ASTM-C-1036-91. Image quality: Excellent

(B) Tempered Glass - 1/4" [6.4] thick polished tempered glass with two coats of silver. Hermetically sealed with an electrolytic copper plating. Back of mirror is finished and protected with a heavy waterproof paint. Glazing meets Federal Specification No. DD-G1403B, Amendment 1, ASTM C-1503 and ASTM-C-1048-92. Image quality: Good

(C) Metal Mirrors - Type 304 alloy 18-8 stainless steel, 20 gauge polished to a #8 mirror finish. Image quality: Good

(D) Lexan Dura-Mirror - 1/4" [6.4] impact resistant polycarbonate sheet. Mirror face is provided with removable masking to prevent scratching during installation. Image quality: Very Good

(E) Plexiglas® - 1/4" [6.4] thick acrylic plastic, lightweight and highly shock resistant. Image quality: Very Good

(L) Mirror is fabricated with a 1/32" [0.8] thick vinyl interlayer bonded between two 1/8" [3] sheets of #1 quality polished plate glass with back silver. Hermetically sealed with a uniform coating of electrolytic copper plating. Back of mirror is finished and protected with a heavy-duty waterproof paint. Laminated glass meets the performance criteria of Federal Spec. No. DD-M-451 and ANSI Z87.1 and complies with CPSC standards 16 CR 1201 (1) 11. Image quality: Excellent

WARRANTY

Warranted against silver spoilage for 15 years from date of Invoice