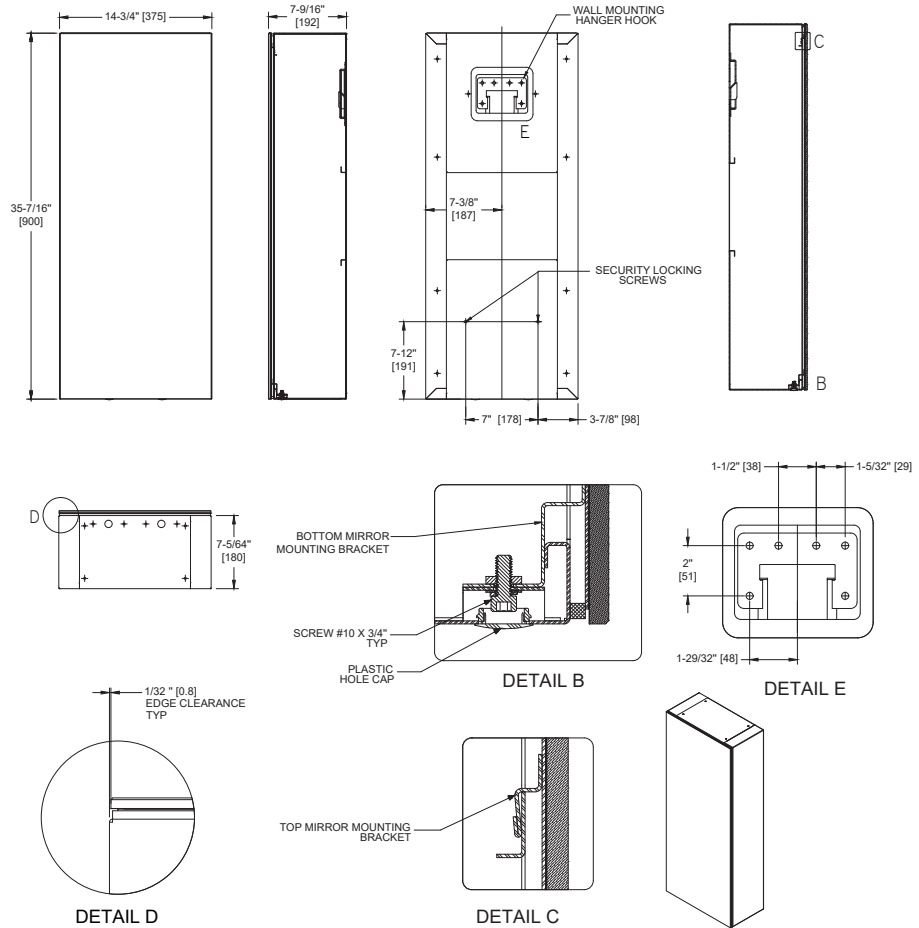


**Velare™ BTM System – 14-3/4" wide Filler Cabinet**

Mirrors

Velare

MasterFormat Section 10 28 13



**SUSTAINABILITY/LEED**

MR 4.1 (1) MR 6 (1) EQ 4.2 (1)  
MR 4.2 (1) EQ 4.1 (1) EQ 4.4 (1)

**NOTE:**  
ALL DIM'S INCH [MM]  
ILLUSTRATION FOR REF ONLY AND NTS  
FOR CLEANING INSTRUCTIONS SEE APPROPRIATE SECTIONS IN  
PRODUCT CARE & MAINTENANCE BULLETIN (PCM) ON ASI WEBSITE

**PRODUCT OVERVIEW**

ASI's Velare™ Behind the Mirror (BTM) wall mounted type 304, alloy 18-8 stainless steel cabinet filler module provides spacing between other Velare™ BTM modules where needed. Mirror is made from 1/4" [6] thick frameless tempered glass conforming to ASTM C-1048 with pencil edges and eased corners with SS sheet intermediate stiffener and SS back plate with integral welded support mounts.

**KEY FEATURES & SPECIFICATIONS**

- Filler Cabinet designed for a more continuous look
- Fits adjacent to or between standard Velare™ cabinets
- Cabinet body is made of Type 304, alloy 18-8 stainless steel
- 1/4" [6] thick tempered glass mirror has a pencil edge with a radius for safety and elegance
- Surface Mounted
- 14-3/4" [375] Wide

**TECHNICAL INFORMATION / PRODUCT PROPERTIES**

Property	Value
Dimensions	14-3/4" [357] W x 35-7/16" [900] H x 7-9/16" [192] D
Construction	Type 304, alloy 18-8 stainless steel - Satin Finish 1/4" [6.4] thick tempered glass mirror has a pencil edge with a radius for safety and elegance
Mounting	Surface Mounted
Materials	<u>Cabinet:</u> 14, 16, 18, 20 and 22 gauge type 304, alloy 18-8 stainless steel. <u>Glass:</u> Tempered glass.

**INSTALLATION**

Mount cabinet on wall using six (6) #12 self-threading pan-head screws (by others) through one (1) concealed mounting plate into appropriate anchoring and wall reinforcement and hang unit on hooks on mounting plate. Install two (2) #12 self-threading locking screws (by others) into appropriate anchoring to prevent unit from being lifted off hanger hooks. Position mirror in front of cabinet and insert top and bottom rear tabs into receiver-slots. Secure mirror with two (2) #10-32x3/4" Pan Head screws (provided) to the bottom mirror mounting brackets through the bottom access holes by engaging and securing to threaded inserts provided on bottom mirror rear mounting tabs. Cover the screw access holes using the two (2) black plastic hole caps (supplied). Suggested mounting height is to position bottom of module 16" to 20" [508] above vanity top so bottom aligns with ASI models 0661-X or 0663-X on either side of Filler Module. See complete IG before starting installation.

**SIZE OPTIONS**
**GLAZING OPTIONS**

Not Available

**WARRANTY**

One (1) Year from date of Invoice