



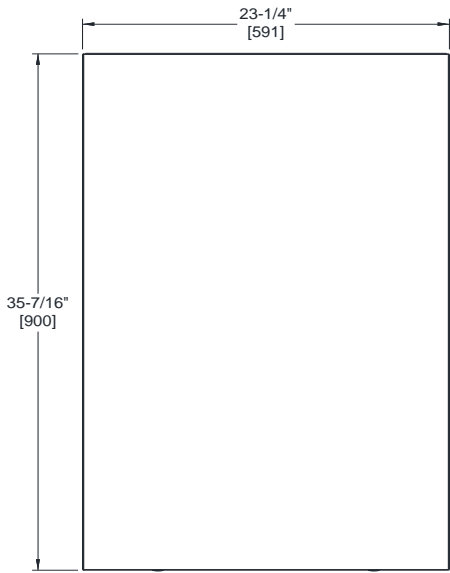
AMERICAN SPECIALTIES, INC.
 441 Saw Mill River Road, Yonkers, NY 10701
 (914) 476.9000 • (914) 476.0688
 www.americanspecialties.com

MODEL №: 0661-FM-23

ISSUED: 29 JAN 2019

REVISED:

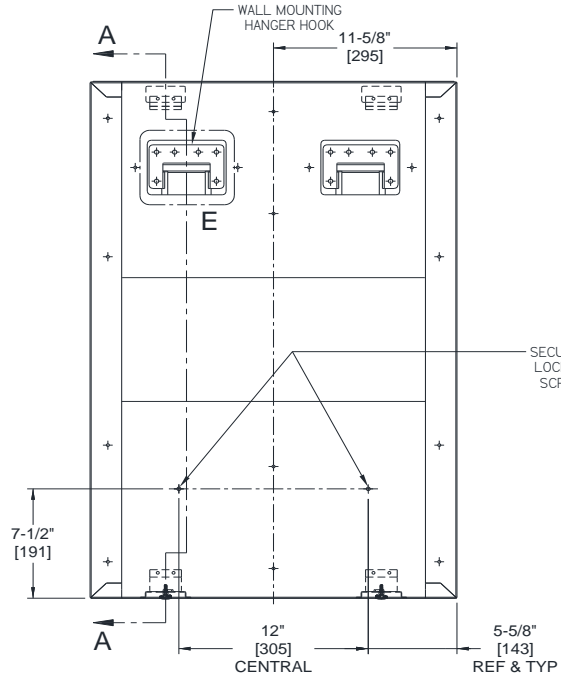
VELARE™ BTM SURFACE MOUNTED FILLER MODULE (PG 1 of 2)



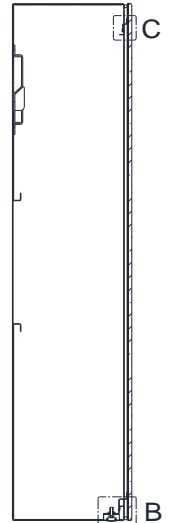
FRONT VIEW



SIDE VIEW



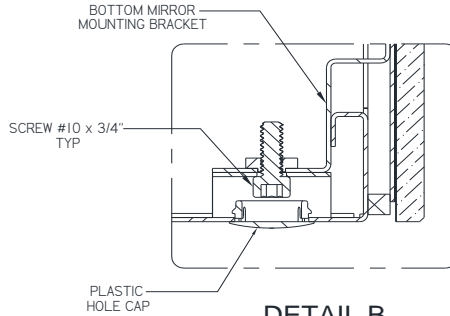
BACK VIEW



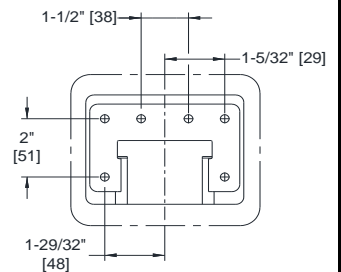
SECTION A-A



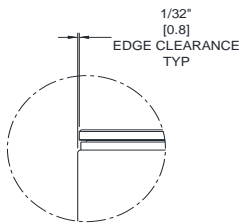
BOTTOM VIEW



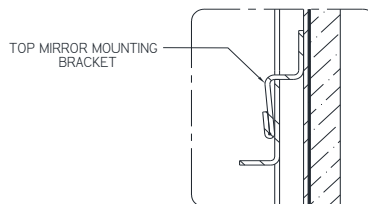
DETAIL B



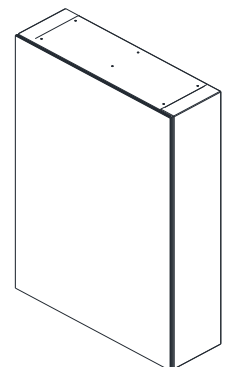
DETAIL E



DETAIL D



DETAIL C



ISOMETRIC VIEW

NOTE:
 ALL DIM'S INCH [MM]
 ILLUSTRATION FOR REF ONLY AND NTS
 FOR CLEANING INSTRUCTIONS SEE APPROPRIATE SECTIONS
 IN PRODUCT CARE & MAINTENANCE BULLETIN (PCM) ON ASI WEBSITE



AMERICAN SPECIALTIES, INC.
441 Saw Mill River Road, Yonkers, NY 10701
(914) 476.9000 • (914) 476.0688
www.americanspecialties.com

MODEL №: 0661-FM-23

ISSUED: 29 JAN 2019

REVISED:

VELARE™ BTM SURFACE MOUNTED FILLER MODULE (PG 2 of 2)

SPECIFICATION

Velare™ BTM Surface Mounted Filler Module mirror is 1/4" [6] thick frameless tempered glass conforming to ASTM C-1048 with pencil edges and eased corners adhered to back plate with integral welded support mounts. Cabinet is 14, 16, 18, 20 and 22 gage 304 Stainless Steel with Satin Finish on all exposed surfaces and has no exposed construction tabs, flaps, welding or fasteners. Mirror and cabinet are rigidly fixed when installed properly. Installation Guide (IG) is provided with unit.

Velare™ BTM Surface Mounted Filler Module shall be Model № 0661-FM-23 as manufactured by American Specialties, Inc., 441 Saw Mill River Road, Yonkers, New York 10701-4913

INSTALLATION

Mount cabinet on wall using twelve (12) № 12 self-threading, pan-head screws (by others) through two (2) concealed mounting plate into appropriate anchoring and wall reinforcement and hang unit on hooks on mounting plate. Install two (2) №12 self-threading locking screws (by others) into appropriate anchoring to prevent unit from being lifted off hanger hooks. Position mirror in front of cabinet and insert top and bottom rear tabs into receiver-slots. Secure mirror with two (2) № 10-32 x 3/4" Pan Head screws (provided) to the bottom mirror mounting brackets through the bottom access holes by engaging and securing to threaded inserts provided on bottom mirror rear mounting tabs. Cover the screw access holes using the two (2) black plastic hole caps (supplied). Suggested mounting height is to position bottom of module 16" [406] to 20" [508] above vanity top so bottom aligns with Model №'s 0661-X or 0663-X on either side of Filler Module. See complete IG before starting installation.

OPERATION

Mirror provides fixed spacing between modules with uniform appearance. Mounting frame cabinet provides closed bottom and top for an hygienic installation continuous with modules to either side.