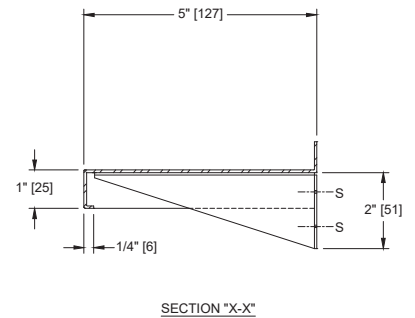
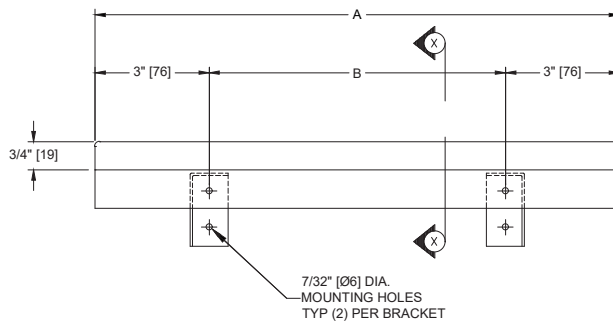


Surface Mounted Shelf With Backsplash, Various Lengths

Shelves

MasterFormat Section 10 28 13



Scan for Information



SUSTAINABILITY/LEED

MR 4.1 (1) MR 6 (1) EQ 4.2 (1)
MR 4.2 (1) EQ 4.1 (1) EQ 4.4 (1)

NOTE:
ALL DIM'S INCH [MM]
ILLUSTRATION FOR REF ONLY AND NTS
FOR CLEANING INSTRUCTIONS SEE APPROPRIATE SECTIONS IN
PRODUCT CARE & MAINTENANCE BULLETIN (PCM) ON ASI WEBSITE

PRODUCT OVERVIEW

Fabricated of 18 gauge stainless steel with a satin finish on exposed surfaces. Shelf is 5" [127] deep and has a 1" [25] hollow pan construction on three (3) sides and raised back splash all from one piece. Various lengths available.

KEY FEATURES & SPECIFICATIONS

- Shelf Comes with Back Splash
- Type 304 Stainless Steel - Satin Finish
- Surface Mounted

OPERATION & MAINTENANCE

Shelf is stable and stationary after proper and secure mounting to adequate wall reinforcement or stud structure. Shelf is suitable for wet (self-contained) or dry materials storage.

TECHNICAL INFORMATION / PRODUCT PROPERTIES

Property	Value
Dimensions	Various Sizes 5" [127] D x 18" [457] W - 60" [1524] L
Construction	Type 304 Stainless Steel - Satin Finish
Mounting	Surface Mounted

INSTALLATION

Unit is surface mounted on wall or partition using #10 self-threading screws (by others) through holes provided in support brackets. For compliance with 2010 Accessibility Standards install unit so that shelf top is between 48" [1219] maximum Above Finished Floor (AFF) and 32" [813] minimum AFF. For most common utility typical is 42" [1067] AFF or 18" [457] above wash basin.

SCHEDULE OF AVAILABILITY

Size chart:	0694-18 – 5" [127] Deep x 18" [457] Long	0694-24 – 5" [127] Deep x 24" [609] Long
	0694-36 – 5" [127] Deep x 36" [914] Long	0694-48 – 5" [127] Deep x 48" [1219] Long
	0694-60 – 5" [127] Deep x 60" [1524] Long	

WARRANTY

One (1) Year from date of Invoice