



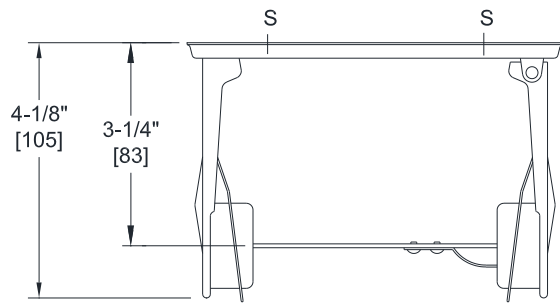
**AMERICAN SPECIALTIES, INC.**  
441 Saw Mill River Road, Yonkers, NY 10701  
(914) 476.9000 • (914) 476.0688  
www.americanspecialties.com

**MODEL №:** 0710

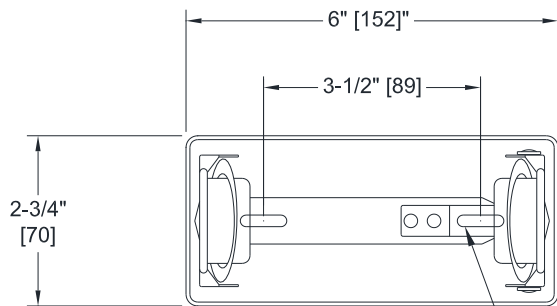
**ISSUED:** 01-87

**REVISED:** 26 JUL 2019

## SURFACE MOUNTED SINGLE ROLL TOILET PAPER HOLDER

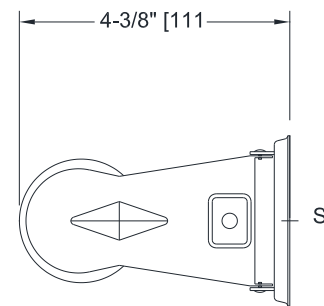


TOP VIEW



FRONT VIEW

3/4" [19] x 3/16" [5]  
SLOT MOUNTING HOLES



SIDE VIEW

### NOTE

ALL DIM'S INCH [MM]

ILLUSTRATION FOR REF ONLY AND NTS

FOR CLEANING INSTRUCTIONS SEE APPROPRIATE SECTIONS  
IN PRODUCT CARE & MAINTENANCE BULLETIN (PCM) ON ASI WEBSITE

### SPECIFICATION

Surface Mounted Single Roll Toilet Paper Holder shall hold one (1) roll of standard core roll toilet paper up to 5" Dia [Ø127]. Unit shall be 18 gauge chrome-plated steel with high polish. A brake-spring shall allow free delivery of toilet paper while preventing over-spin paper roll-off due to fast-pull. Roll core prevents access to release-catch spring and tissue roll shall be non-removable until tissue is depleted.

**Surface Mounted Single Roll Toilet Paper shall be Model № 0710 of American Specialties Inc., 441 Saw Mill River Road, Yonkers, New York 10701-4913**

### INSTALLATION

For general utility mount unit 32" [813] AFF (Above Finished Floor) from center line of holder. Surface mount holder to wall with two (2) № 10 self-threading screws (by others) through mounting slots provided in back plate. For compliance with 2010 ADA Accessibility Standards and 2015 ABA Standards install unit so that center line of roll is 7" [178] min to 9" [229] max in front of toilet and axis of roll is 15" [381] min AFF to 48" [1219] max AFF.

### OPERATION

Toilet paper is dispensed with free delivery while preventing over-spin from fast-pull. Roll core prevents access to the release catch and must be removed to allow the end support arm to swing away for service roll replacement. Toilet paper is replaced on a cycle determined by maintenance needs.