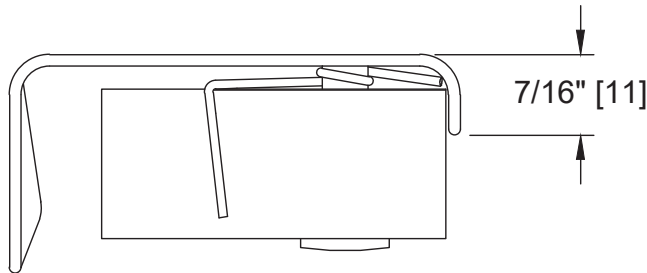
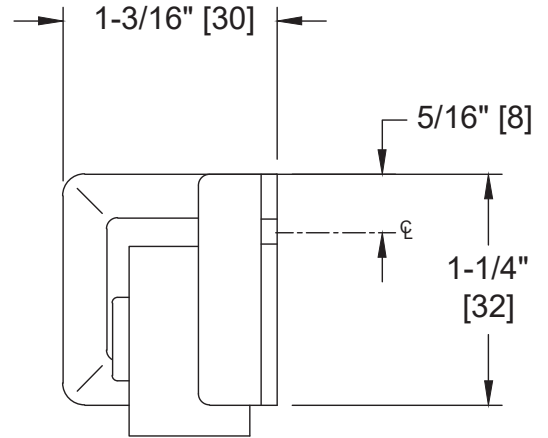
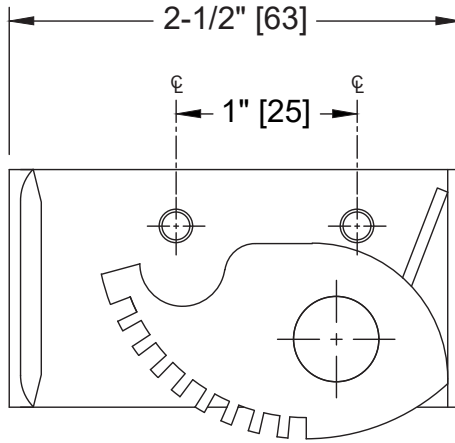


**Mop Holder (Single) – Surface Mounted**

Custodial Accessories

MasterFormat Section 10 28 13



**NOTE:**  
ALL DIM'S INCH [MM]  
ILLUSTRATION FOR REF ONLY AND NTS

Scan for Information



**SUSTAINABILITY/LEED**

**PRODUCT OVERVIEW**

Fabricated of cadmium plated steel and ribbed for rigidity. Pivoting spring loaded serrated rubber cam holds round handles of 7/8" [Ø22] to 1-1/4" diameter [Ø32] wedged against ribbed clamp plate.

**KEY FEATURES & SPECIFICATIONS**

- Holds 1 Mop
- Holder has serrated rubber cam for grasping.
- Fabricated of cadmium plated steel
- Surface Mounted

**OPERATION & MAINTENANCE**

Mop or broom handle is pushed into grip-jaw of pivoting serrated rubber cam with upward motion until it seats behind rib on clamp plate. Spring holds cam against handler. Gravity holds mop clamped in position.

**TECHNICAL INFORMATION / PRODUCT PROPERTIES**

Property	Value
Dimensions	2-1/2" [63] W x 1-1/4" [32] H x 1-3/16" [30] D
Construction	Cadmium Plated Steel
Mounting	Surface Mounted
Capacity	Holds round one (1) handle of 7/8" [Ø22] to 1-1/4" Dia. [Ø32]

**INSTALLATION**

For general utility mount mop holder 70" [1788] Above Finished Floor (AFF) from bottom of mop holder. Secure mop holder to wall with two (2) #10 self-threading pan head screws (supplied by others) through mounting holes in back plate. For compliance with 2010 ADA Accessibility Standards, install unit with top of mop holder at 48" [1219] maximum AFF.

**WARRANTY**

One (1) Year from date of Invoice