



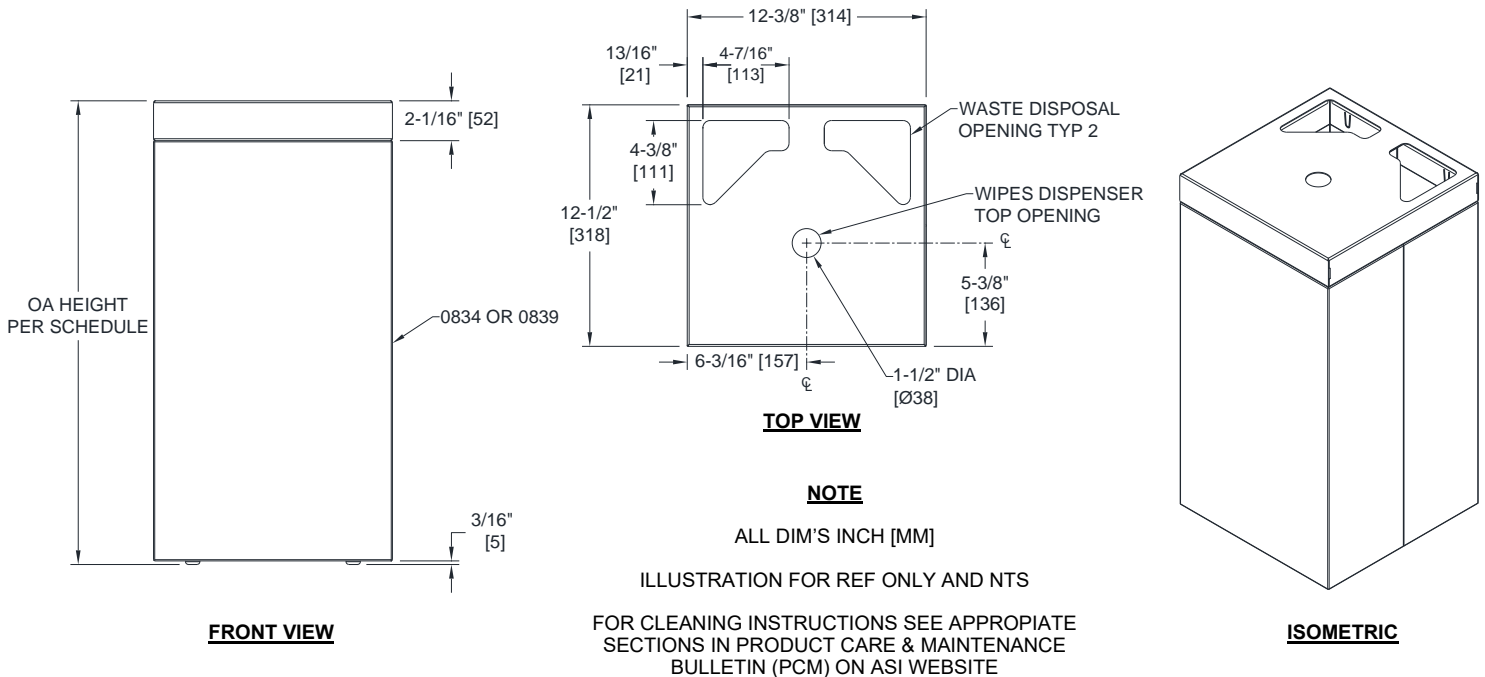
AMERICAN SPECIALTIES, INC.
 441 Saw Mill River Road, Yonkers, NY 10701
 (914) 476.9000 • (914) 476.0688
 www.americanspecialties.com

MODEL №: 0834/9-TWH

ISSUED: 2 DEC 2020

REVISED:

TOP PRESENTING SANITIZER WIPES DISPENSER AND DISPOSAL STATION



SPECIFICATION

Top Presenting Sanitizer Wipe Dispenser and Disposal Station shall have 18 gage unified top and 22 gage bin all of type 304 stainless steel alloy 18-8 with satin finish on exposed surfaces. Capacity of Station is either total 12 Gallon [45L] or 17 Gallon [64L] per model as scheduled. Bin and top will be shipped in individual boxes and shall be protected during shipment with PVC film easily removable after installation. Receptacle and bin top shall have no exposed fastening devices or spot welded seams. Wipes retainer cage has concealed tumbler lock with key matching other ASI washroom equipment and shall hold standard commercially available container up to 9" Dia [Ø229] x 9" [229] tall with coordinated top center dispenser opening. Top shall have size-limited waste openings and shall lift off for easy maintenance. Bottom of receptacle shall have four (4) non-skid rubber feet.

Top Presenting Sanitizer Wipes Dispenser and Disposal Station shall be Model № 0834-TWH or 0839-TWH as manufactured by American Specialties, Inc., 441 Saw Mill River Road, Yonkers, New York 10701-4913

INSTALLATION

Top Presenting Sanitizer Wipes Dispenser and Waste Disposal Station is free standing and should be placed in appropriate position on finished floor near traffic zone to maximize access by intended users.

OPERATION

Top Presenting Sanitizer Wipes Dispenser requires standard commercially available 9" Dia [Ø229] x 9" [229] tall container with coordinated dispenser opening (by others) and use of waste container disposable trash liner bags (by others) in Waste Disposal Station is recommended. Sanitizer wipes are pulled by user. Waste material is deposited into the receptacle through size-limited top openings. The disposal bags are emptied manually on a cycle determined by maintenance needs by removing top and removing bags from top cuff retainer stars. Sanitizer Wipes tub (by others) is manually replaced when empty by removing top and unlocking retainer cage with E-114 key provided. Follow Sanitizer Wipes manufacturer's instructions for opening top and starting wipes before relocking retainer cage and saving key for future use. Unit should be cleaned daily in accordance with facility approved protocols.

OPTIONS

Top Presenting Sanitizer Wipes Dispenser and Waste Disposal Station is available in capacities as scheduled by model number. See Schedule of Availability of each size for reference.

Schedule of Availability			
Model №	Total Capacity	OA Height	Bin Capacity
0834-TWH	12 Gallon [45L]	24-3/16" [614]	14 Gal [53 L]
0839-TWH	17 Gallon [64L]	31-11/16" [805]	19 Gal [72 L]