



**AMERICAN SPECIALTIES, INC.**  
441 Saw Mill River Road, Yonkers, NY 10701  
(914) 476.9000 • (914) 476.0688  
www.americanspecialties.com

**MODEL №: 0834/9-TWH OM**

**ISSUED: 2 DEC 2020**

**REVISED:**

**OWNER'S MANUAL, TOP PRESENTING SANITIZER WIPES DISPENSER AND WASTE DISPOSAL STATION (Pg 1 of 2)**

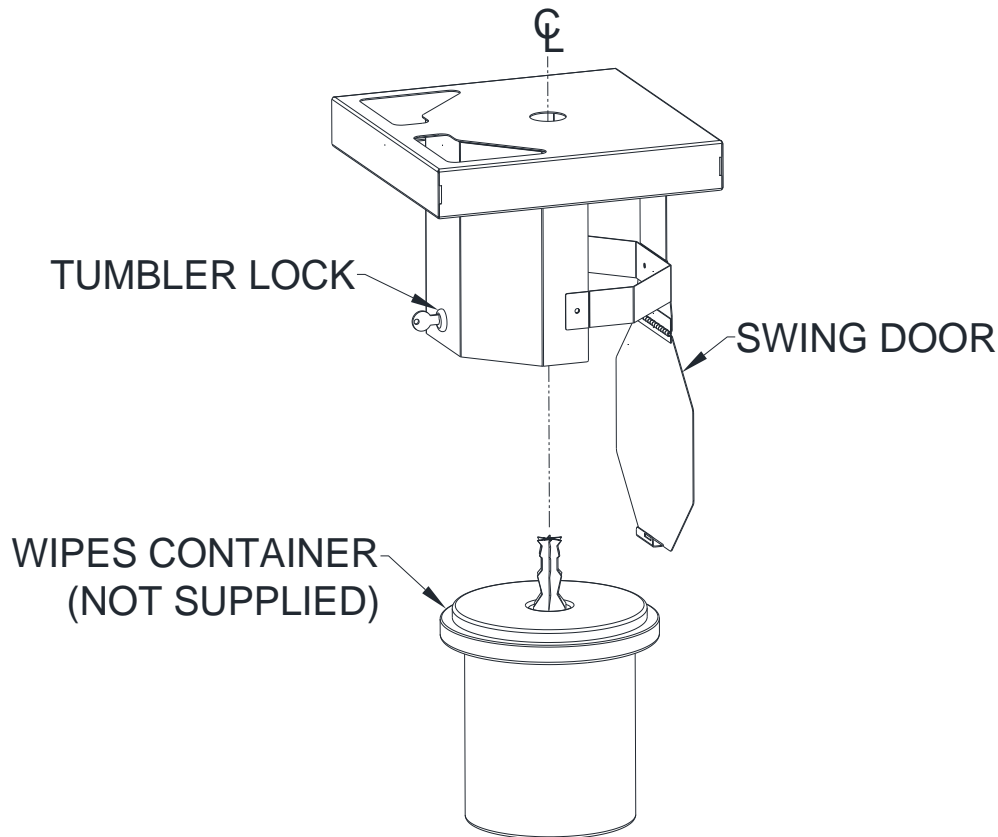
**IMPORTANT: READ THESE INSTRUCTIONS COMPLETELY PRIOR TO BEGINNING  
INSTALLATION & RETAIN FOR FUTURE REFERENCE**

Top Presenting Sanitizer Wipes Dispenser and Waste Disposal Station is free standing. Place unit in appropriate position on finished floor near traffic zone to maximize access by intended users. Bin and top are protected with a PVC film to protect them during shipping and handling, remove after installation.

Top Presenting Sanitizer Wipes Dispenser requires standard commercially available 9" Dia [Ø229] x 9" [229] tall container with coordinated dispenser opening (by others) and use of waste container disposable trash liner bags (by others) in Waste Disposal Station is recommended.

**WIPES CONTAINER LOADING**

1. Remove top and unlock retainer cage using the E-114 key (provided).
2. Follow Sanitizer Wipes manufacturer's instructions for opening top and starting wipes.
3. Place the container inside the cage making sure the wipe goes through the provided top hole. (See Fig. 1)



**Fig. 1**



**AMERICAN SPECIALTIES, INC.**  
441 Saw Mill River Road, Yonkers, NY 10701  
(914) 476.9000 • (914) 476.0688  
www.americanspecialties.com

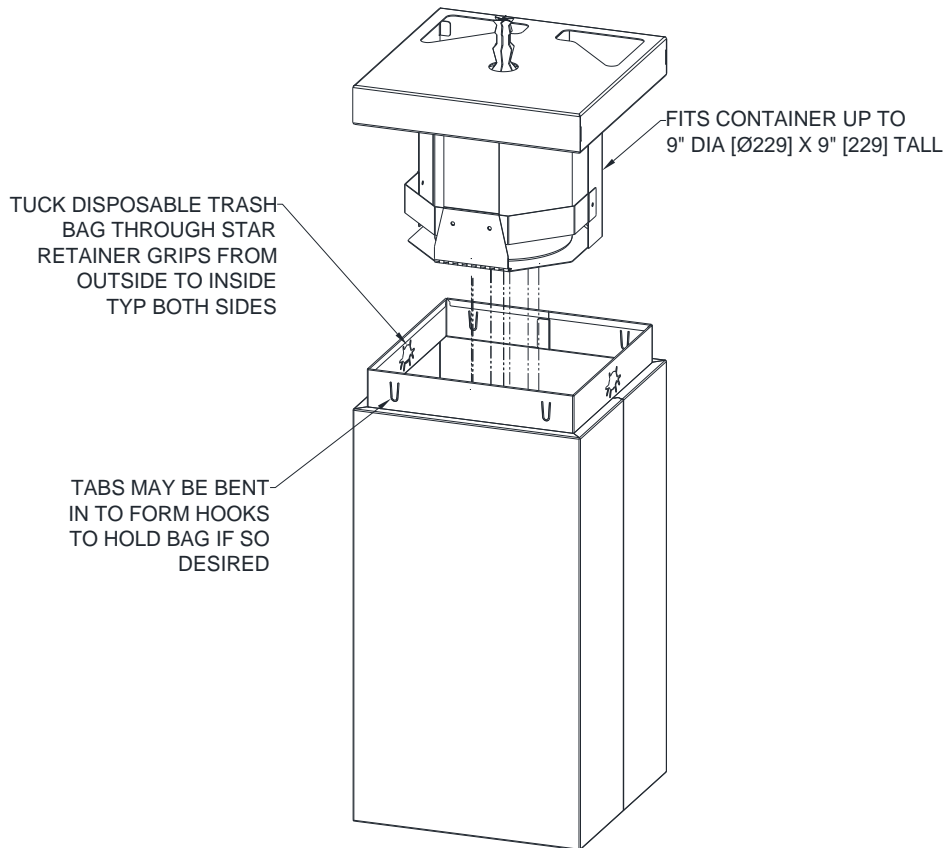
**MODEL №: 0834/9-TWH OM**

**ISSUED: 2 DEC 2020**

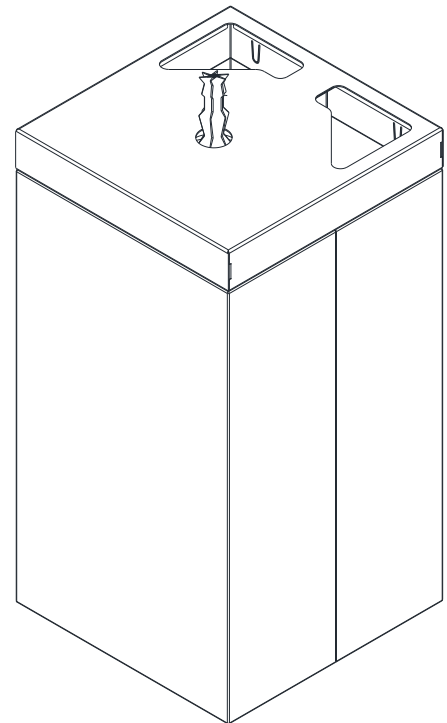
**REVISED:**

**OWNER'S MANUAL, TOP PRESENTING SANITIZER WIPES DISPENSER AND WASTE DISPOSAL STATION (Pg 2 of 2)**

4. Close the swing door and lock in place.
5. Place disposable trash liner bag (by others) in bin. Hang bag on pre-bent hooks if so desired or bunch-twist bag to tighten on top frame and tuck bunch-twist into star retainer grips on both sides from outside to inside.
6. Assemble the top to the bin, see Fig. 2 and Fig. 2a.



**Fig. 2**



**Fig. 2a**

**OPERATION**

User pulls out wipes as needed and waste material is deposited into the receptacle through size-limited top openings. Unit should be cleaned daily in accordance with facility approved protocols.