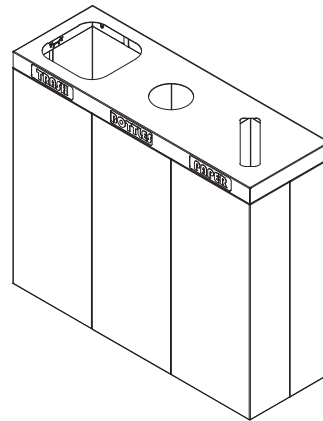
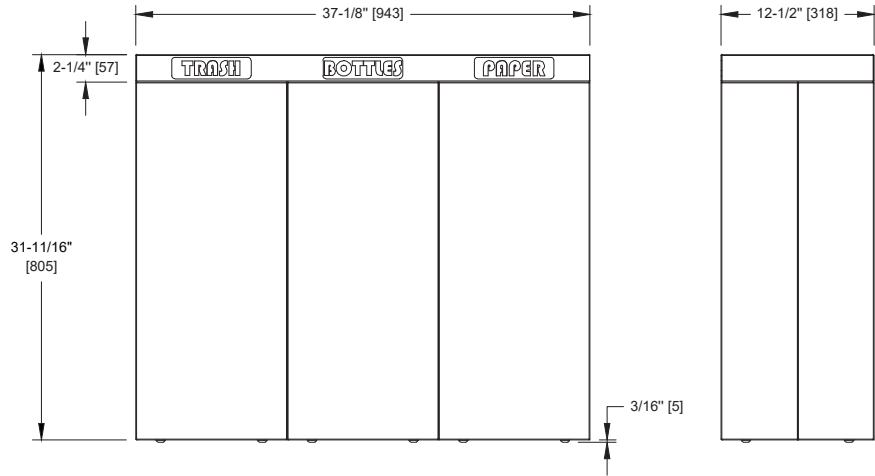


3-Bin Recycling Station - 57 Gal - Free Standing - Stainless Steel

Waste Receptacles

MasterFormat Section 10 28 13



NOTE:
ALL DIM'S INCH [MM]
ILLUSTRATION FOR REF ONLY AND NTS

Scan for Information



SUSTAINABILITY/LEED

MR 4.1 (1) MR 6 (1) EQ 4.2 (1)
MR 4.2 (1) EQ 4.1 (1) EQ 4.4 (1)

PRODUCT OVERVIEW

Free standing 3-Bin Recycling Station is constructed of an 18 gauge unified top and individual 22 gauge bins all of type 304 stainless steel with satin finish on exposed surfaces. Bottoms of each receptacle are equipped with four (4) non-skid rubber feet. Receptacles and bin top has no exposed fastening devices or spot welded seams and lifts off for easy maintenance. Top has shape-coordinated openings and permanent labels "TRASH", "BOTTLES," and "PAPER" affixed for opening identification. Total Capacity: 57 gal [216L]

KEY FEATURES & SPECIFICATIONS

- High Capacity Recycling Station features three separate bins with a unifying top
- Top has shape-coordinated openings and permanent labels for "TRASH", "BOTTLES" and "PAPER"
- Type 304 stainless steel - Satin Finish
- 18 gauge unified top / 22 gauge receptacle
- Free Standing - Mobile
- Each individual receptacle base has 4 non-skid tips to prevent unwanted sliding
- 57 gallon (216L)

OPERATION & MAINTENANCE

Waste material is deposited into the receptacle through the push in doors. Use of a disposable trash liner bag recommended. The disposal bag is emptied of waste material on a cycle determined by maintenance needs by removing top assembly.

TECHNICAL INFORMATION / PRODUCT PROPERTIES

Property	Value
Dimensions	37-1/8" [943] W x 31-7/8" [810] H x 12-1/2" [318] D
Construction	Type 304 Stainless Steel - Satin Finish
Mounting	Floor Standing
Capacity	57 gal. (216L)

INSTALLATION

Waste receptacle is free standing and should be placed in appropriate position on finished floor.

OPTIONS**WARRANTY**

One (1) Year from date of Invoice