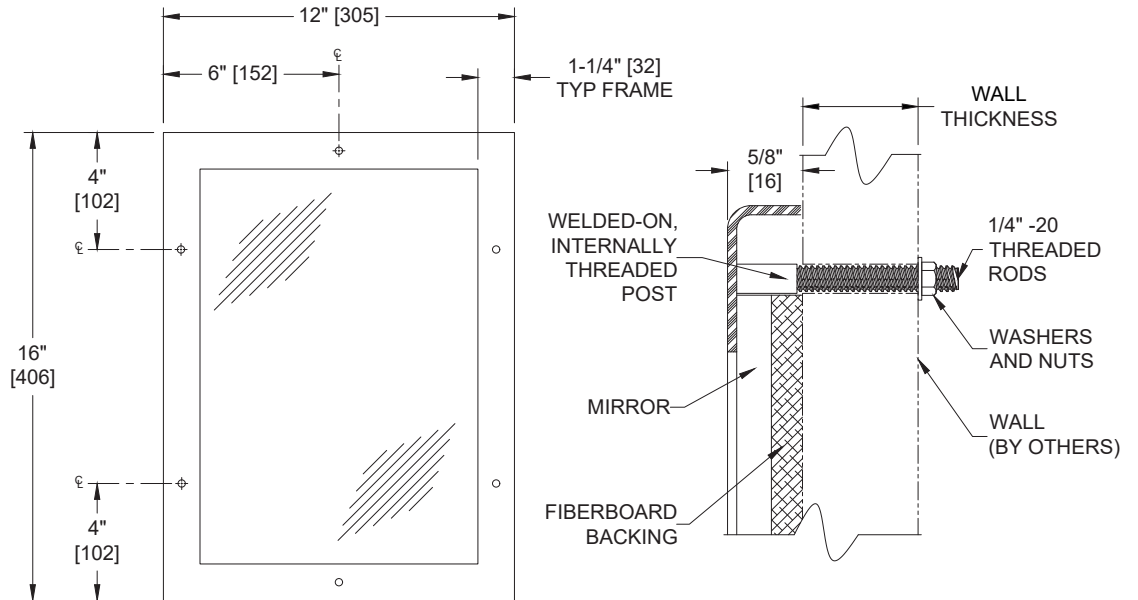


Framed Mirror – #8 Mirror Polished St. Steel, Chase Mount, 12" x 16"

Security Accessories

MasterFormat Section 10 28 13



Scan for Information



SUSTAINABILITY/LEED

MR 4.1 (1) MR 6 (1) EQ 4.2 (1)
MR 4.2 (1) EQ 4.1 (1) EQ 4.4 (1)

NOTE:
ALL DIM'S INCH [MM]
ILLUSTRATION FOR REF ONLY AND NTS
FOR CLEANING INSTRUCTIONS SEE APPROPRIATE SECTIONS IN
PRODUCT CARE & MAINTENANCE BULLETIN (PCM) ON ASI WEBSITE

PRODUCT OVERVIEW

Frame 14 gauge type 304, alloy 18-8 stainless steel with satin finish, corners welded and ground smooth. Unit provided with fiberboard backing and six "T" nuts welded on back for rear mounting. Specify wall thickness if greater than 6" [152]

KEY FEATURES & SPECIFICATIONS

- Security Framed Mirror
- Plate Glass Mirror
- Frame - Type 304, alloy 18-8 stainless steel - Satin Finish
- 14 gauge Frame
- Chase (Rear) Mount
- Options for reflective surface - Polished Stainless Steel, Tempered Glass or Plexiglass

TECHNICAL INFORMATION / PRODUCT PROPERTIES

Property	Value
Dimensions	12" [305] W x 16" [406] H x 5/8" [16] D
Construction	Type 304, alloy 18-8 stainless steel - Satin Finish 14 gauge Frame
Mounting	Chase (Rear) Mount
Materials	<u>Frame:</u> 14 gauge type 304, alloy 18-8 stainless steel

INSTALLATION

Unit is anchored through wall or partition using six (6) 1/4-20 threaded rods, washers & nuts (supplied). For compliance with the 2010 ADA Accessibility Standards and 2015 ABA Standards, bottom edge of reflecting surface should be no higher than 40" [1016] Above Finished Floor (AFF). For proper installation hardware selection specify the wall thickness on which unit is to be mounted (indicate thickness of wall with check mark and specify length if over 8" [203].
Sustainability/LEED

SIZE OPTIONS

Options	101-14 - 20 ga type 304, alloy 18-8 stainless steel w/ #8 Mirror Polish
Wall Thickness:	Up to 6" [152] 8" [203] Over 8" [203] Specify W = _____ Inches

GLAZING OPTIONS

(-14) Metal Mirrors - Type 304 alloy 18-8 stainless steel, 20 gauge polished to a #8 mirror finish. Image quality: Good

WARRANTY

One (1) Year from date of Invoice