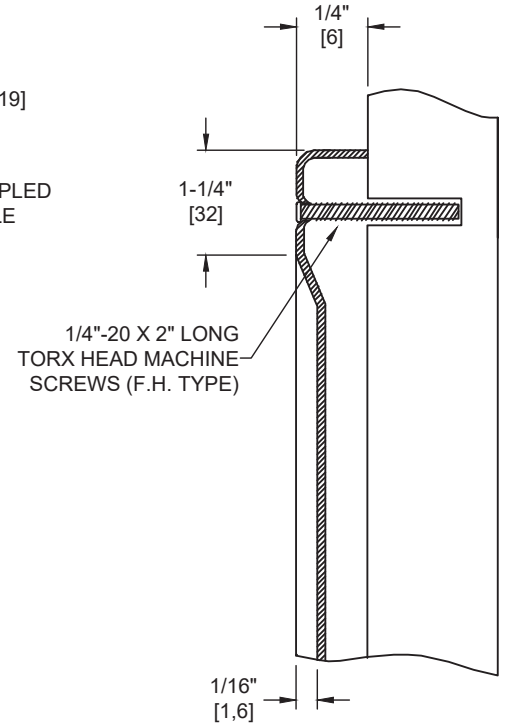
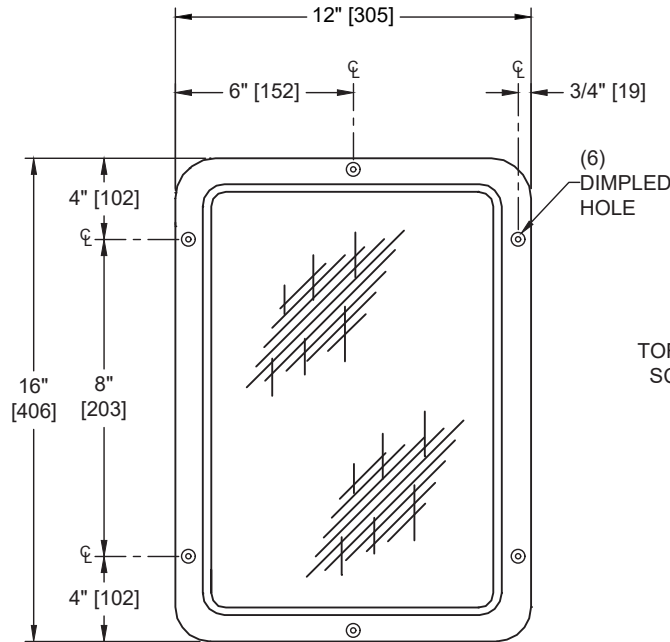


**Mirror – 20 Ga. #8 Mirror Polished Stainless Steel, Front Mount, 12" x 16"**

Security Accessories

MasterFormat Section 10 28 13



Scan for Information



**SUSTAINABILITY/LEED**

MR 4.1 (1) MR 6 (1) EQ 4.2 (1)  
MR 4.2 (1) EQ 4.1 (1) EQ 4.4 (1)

**NOTE:**  
ALL DIM'S INCH [MM]  
ILLUSTRATION FOR REF ONLY AND NTS  
FOR CLEANING INSTRUCTIONS SEE APPROPRIATE SECTIONS IN  
PRODUCT CARE & MAINTENANCE BULLETIN (PCM) ON ASI WEBSITE

**PRODUCT OVERVIEW**

One piece 18 gauge type 304, alloy 18-8 stainless steel formed mirror with #8 mirror polish finish, integral frame, rounded corners and 6 mounting holes. 20 gauge, #8 mirror polish finish

**KEY FEATURES & SPECIFICATIONS**

- 20 gauge Mirror with a #8 Polish with Rounded corners
- Bottom of the mirror is mounted on full width stainless steel piano hinge.
- Type 304, alloy 18-8 stainless steel
- One piece formed - 20 gauge
- Front Mount
- Roll formed - Inter-Lok Frame has heliarc welded corners (polished to a smooth finish)
- Various sizes and glazing options

**TECHNICAL INFORMATION / PRODUCT PROPERTIES**

Property	Value
Dimensions	12" [305] W x 16" [406] H x 1/4" [6] D
Construction	Type 304, alloy 18-8 stainless steel One piece formed - 20 gauge
Mounting	Front Mount
Materials	<p><u>Mirror:</u> 20 gauge type 304, alloy 18-8 stainless steel polished to a #8 mirror finish.</p> <p><u>Glass:</u> Standard glazing is #1 quality, 1/4" [6.4] thick plate/float, silver coated and hermetically sealed with a uniform coating of electrolytic copper plating, warranted against silver spoilage for 15 years. Mirrors meet Federal Spec. DD-M-411C, ASTM C-1503, and ASTM C-1036-91.</p> <p><u>Filler:</u> Expanded polyethylene microcell foam sheet material, abrasion resistant and shock absorbing, water resistant, 1/8" [3.2] total layer thickness.</p> <p><u>Brackets:</u> Stainless steel alloy 18-8, type 304, 16 gauge, rounded edges with stainless steel hinge pivot and internal lock.</p>

**INSTALLATION**

For Compliance with 2010 ADA Accessibility Standards and 2015 ABA Standards, install unit so that bottom edge of reflecting surface is 40" [1016] maximum Above Finished Floor (AFF). Insert six (6) wall anchors (by others) into finished wall to correspond with unit six (6) mounting holes. Mount and secure framed mirror to wall with six (6) 1/4"-20 x 2" long pin-Torx® flat head machine screws (supplied), to anchors by others, through mounting holes provided in frame.

**SIZE OPTIONS**

Options	107-14 - 20 ga type 304, alloy 18-8 stainless steel w/ #8 mirror Polish	0600-T1630 - 16" [406] wide x 30" [762] high
	0600-T1824 - 18" [457] wide x 24" [610] high	0600-T1830 - 18" [457] wide x 30" [762] high
	0600-T1836 - 18" [457] wide x 36" [914] high	0600-T2436 - 24" [610] wide x 36" [914] high

**GLAZING OPTIONS**

(A) Plate Glass - 1/4" [6.4] #1 quality polished, silver coated and hermetically sealed with an electrolytic copper plating. Mirrors meet Federal Spec. No. DD-M-411C, ASTM C-1503 and ASTM-C-1036-91. Image quality: Excellent

(B) Tempered Glass - 1/4" [6.4] thick polished tempered glass with two coats of silver. Hermetically sealed with an electrolytic copper plating. Back of mirror is finished and protected with a heavy waterproof paint. Glazing meets Federal Specification No. DD-G1403B, Amendment 1, ASTM C-1503 and ASTM-C-1048-92. Image quality: Good

(-14) Metal Mirrors - Type 304 alloy 18-8 stainless steel, 20 gauge polished to a #8 mirror finish. Image quality: Good

(D) Lexan Dura-Mirror - 1/4" [6.4] impact resistant polycarbonate sheet. Mirror face is provided with removable masking to prevent scratching during installation. Image quality: Very Good

(E) Plexiglas® - 1/4" [6.4] thick acrylic plastic, lightweight and highly shock resistant. Image quality: Very Good

(L) Mirror is fabricated with a 1/32" [0.8] thick vinyl interlayer bonded between two 1/8" [3] sheets of #1 quality polished plate glass with back silver. Hermetically sealed with a uniform coating of electrolytic copper plating. Back of mirror is finished and protected with a heavy-duty waterproof paint. Laminated glass meets the performance criteria of Federal Spec. No. DD-M-451 and ANSI Z87.1 and complies with CPSC standards 16 CR 1201 (1) 11. Image quality: Excellent

**WARRANTY**

One (1) Year from date of Invoice