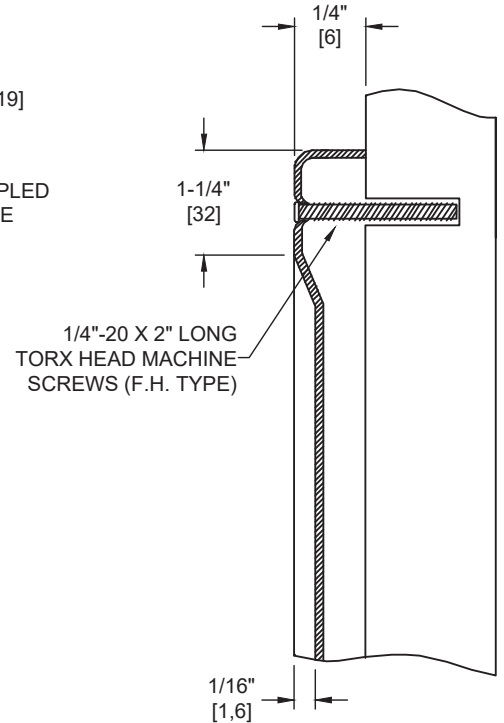
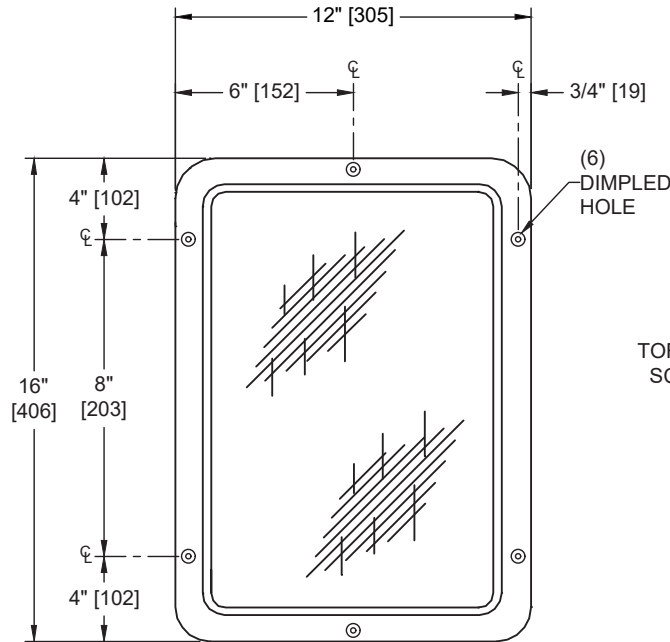


Mirror – 18 Ga. #8 Mirror Polished Stainless Steel, Front Mount, 12" x 16"

Security Accessories

MasterFormat Section 10 28 13



Scan for Information



SUSTAINABILITY/LEED

MR 4.1 (1) MR 6 (1) EQ 4.2 (1)
MR 4.2 (1) EQ 4.1 (1) EQ 4.4 (1)

NOTE:
ALL DIM'S INCH [MM]
ILLUSTRATION FOR REF ONLY AND NTS
FOR CLEANING INSTRUCTIONS SEE APPROPRIATE SECTIONS IN
PRODUCT CARE & MAINTENANCE BULLETIN (PCM) ON ASI WEBSITE

PRODUCT OVERVIEW

One piece 18 gauge type 304, alloy 18-8 stainless steel formed mirror with #8 mirror polish finish, integral frame, rounded corners and 6 mounting holes. 18 gauge, #8 mirror polish finish

KEY FEATURES & SPECIFICATIONS

- 18 gauge Mirror with a #8 Polish with Rounded corners
- Type 304, alloy 18-8 stainless steel
- One piece formed - 18 gauge
- Front Mount

TECHNICAL INFORMATION / PRODUCT PROPERTIES

Property	Value
Dimensions	12" [305] W x 16" [406] H x 1/4" [6] D
Construction	Type 304, alloy 18-8 stainless steel One piece formed - 18 gauge
Mounting	Front Mount
Materials	<u>Mirror</u> : 18 gauge type 304, alloy 18-8 stainless steel polished to a #8 mirror finish.

INSTALLATION

For Compliance with 2010 ADA Accessibility Standards and 2015 ABA Standards, install unit so that bottom edge of reflecting surface is 40" [1016] maximum Above Finished Floor. Insert six (6) wall anchors (by others) into finished wall to correspond with unit six (6) mounting holes. Mount and secure framed mirror to wall with six (6) 1/4 -20 x 2" long pin-Torx® flat head machine screws (supplied) , to anchors by others, through mounting holes provided in frame.

SIZE OPTIONS

Option 18 ga #8 mirror polish finish

GLAZING OPTIONS

- (-13) Tempered Glass - 1/4" [6.4] thick polished tempered glass with two coats of silver. Hermetically sealed with an electrolytic copper plating. Back of mirror is finished and protected with a heavy waterproof paint. Glazing meets Federal Specification No. DD-G1403B, Amendment 1, ASTM C-1503 and ASTM-C-1048-92. Image quality: Good
- (-14) Metal Mirrors - Type 304 alloy 18-8 stainless steel, 20 gauge polished to a #8 mirror finish. Image quality: Good
- (-17) Plexiglas® - 1/4" [6.4] thick acrylic plastic, lightweight and highly shock resistant. Image quality: Very Good

WARRANTY

One (1) Year from date of Invoice