



AMERICAN SPECIALTIES, INC.
 441 Saw Mill River Road, Yonkers, NY 10701
 (914) 476.9000 • (914) 476.0688
 www.americanspecialties.com

MODEL №: 110-1

ISSUED: FEB 1987

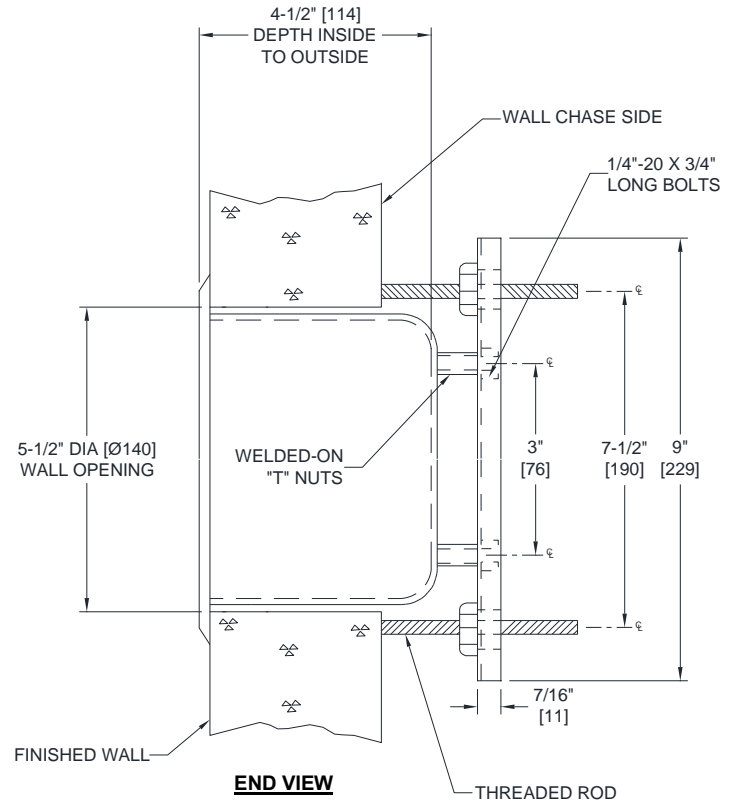
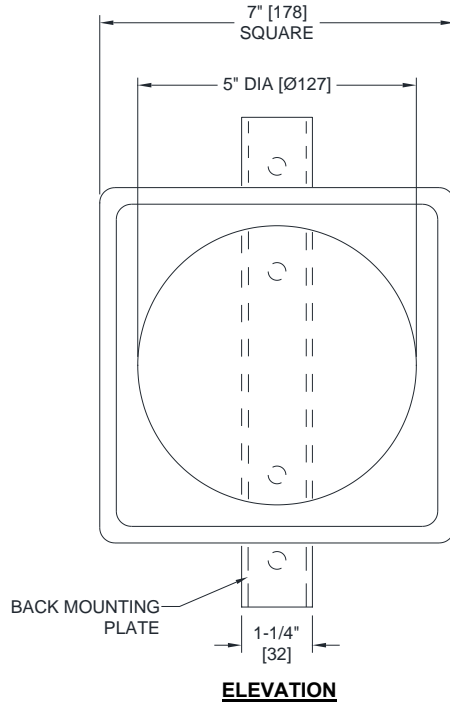
REVISED: 14 JAN 2022

RECESSED TOILET PAPER HOLDER

NOTE

ALL DIM'S INCH [MM]

ILLUSTRATION FOR REF ONLY AND NTS



SPECIFICATION

Recessed Toilet Paper Holder with square bezel for chase mounting shall hold one (1) standard toilet paper roll and shall be 14 gage type 304 stainless steel alloy 18-8. Beveled trim shall have satin finish. Two (2) anchor 1/4-20 T-nuts are welded to holder back. Back mounting plate shall be 11 gage die-formed galvanized steel. Hardware mounting kit (supplied) shall include two (2) threaded rods 1/4-20 x 8" [204] long with four (4) each washers and nuts, back mounting plate and two (2) bolts 1/4-20 x 3/4" [19] long to hold back mounting plate in place. Orientation of threaded rods and bolts shall accommodate shallow or deep wall installation.

Recessed Toilet Paper Holder shall be Model № 110-1 as manufactured by American Specialties, Inc., 441 Saw Mill River Road, Yonkers, NY 10701-4913

INSTALLATION

For compliance with 2010 ADA Accessibility Standards install unit so that centerline of paper holder is between 19" [483] Minimum Above Finished Floor (AFF) to 44" [1118] Maximum AFF and centerline of roll is between 7" and 9" [178 ~ 229] from front of commode. Recommended mounting height is 32" [813] Min AFF. Recess mount paper holder into wall opening. For shallow wall mount plate to back of holder with two (2) bolts 1/4-20 x 3/4" [19] (provided) screwed into T-nuts. Secure unit to wall by adjusting two (2) threaded rods 1/4-20 x 8" [204] (provided) with washers and nuts (provided) to accommodate wall thickness. For thick walls use threaded rods to hold back plate to T-nuts and use bolts to clamp to inside of chase wall.

Rough Wall Opening (RWO) required is 5-1/2" Dia [Ø140] into Chase Clearance

OPERATION

One roll of toilet paper is stored in the 5-1/2" Dia [Ø140] x 4-1/2" [114] deep cylindrical holder. Toilet paper is replenished on a cycle determined by maintenance needs.