



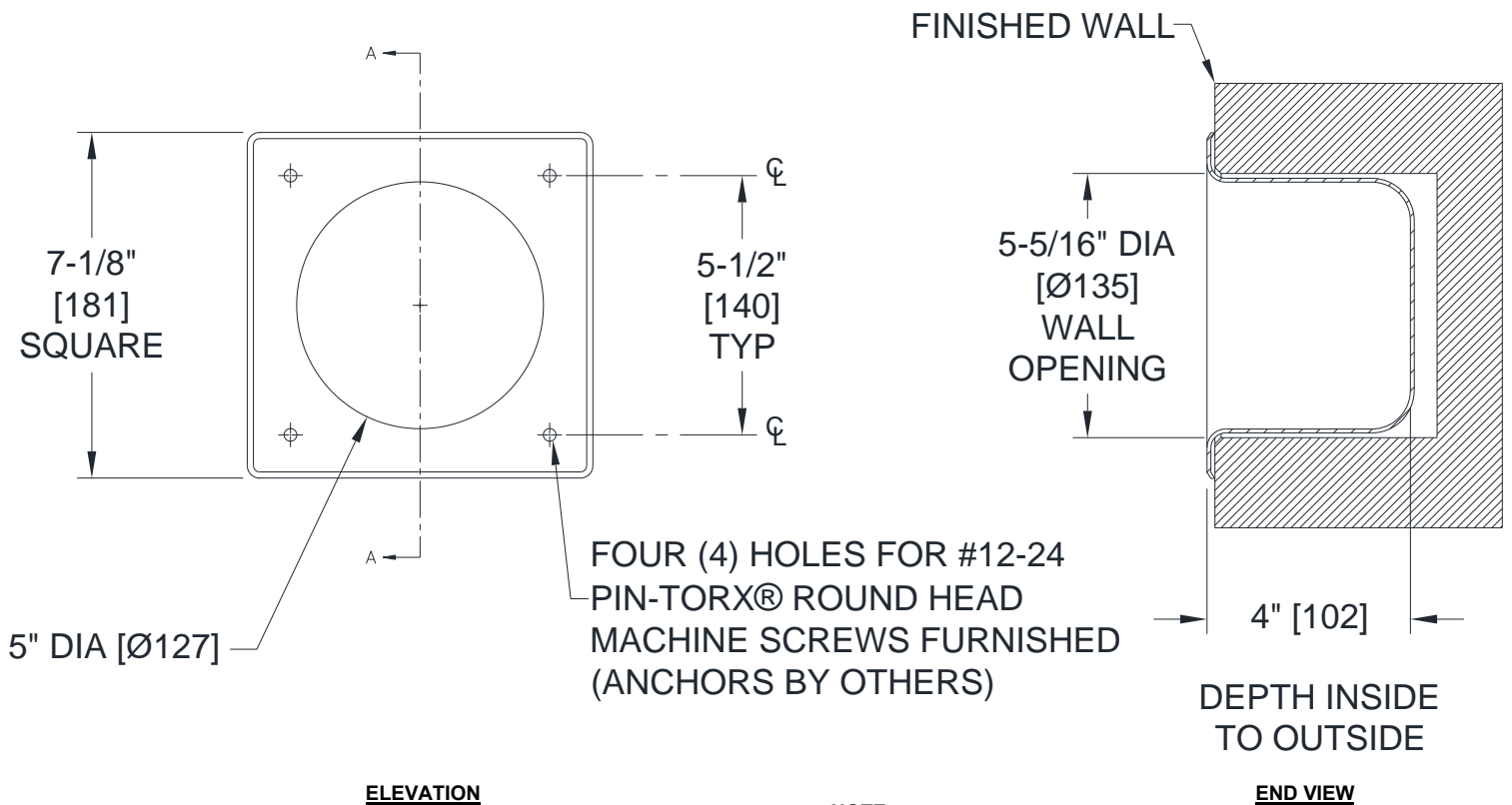
AMERICAN SPECIALTIES, INC.
441 Saw Mill River Road, Yonkers, NY 10701
(914) 476.9000 • (914) 476.0688
www.americanspecialties.com

MODEL №: 110-13

ISSUED: JAN 19887

REVISED: 14 JAN 2022

RECESSED TOILET PAPER HOLDER



ELEVATION

NOTE

ALL DIM'S INCH [MM]

ILLUSTRATION FOR REF ONLY AND NTS

END VIEW

SPECIFICATION

Recessed Toilet Paper Holder with square bezel shall have inside of 5" Dia [Ø127] and 4-1/2" [114] deep to exactly accommodate one (1) standard toilet paper roll and shall be 14 gage type 304 stainless steel alloy 18-8. Beveled trim shall have satin finish and four (4) mounting holes. Mounting hardware (provided) shall consist of four (4) #12-24 pin-Torx® round head machine screws.

Recessed Toilet Paper Holder shall be Model № 110-13 as manufactured by American Specialties, Inc., 41 Saw Mill River Road, Yonkers, NY 10701-4913

INSTALLATION

For compliance with 2010 ADA Accessibility Standards install unit so that centerline of paper holder is between 19" [483] Minimum Above Finished Floor (AFF) to 44" [1118] Maximum AFF and centerline of roll is between 7" and 9" [178 ~ 229] from front of commode. Recommended mounting height is 32" [813] Min AFF. Recess mount paper holder into wall opening. Secure unit to wall with four (4) #12-24 pin-Torx® round head machine screws (provided). Suitable anchors for wall material to be supplied by others.

Rough Wall Opening (RWO) required is 5-5/16" Dia [Ø135] x 5" [127] Min Depth

OPERATION

One roll of toilet paper is stored in the 5" Dia [Ø127] x 4-1/2" [114] deep cylindrical holder. Toilet paper is replenished on a cycle determined by maintenance needs.