



**AMERICAN SPECIALTIES, INC.**  
 441 Saw Mill River Road, Yonkers, NY 10701  
 (914) 476.9000 • (914) 476.0688  
 www.americanspecialties.com

**MODEL №:** 110

**ISSUED:** JAN 1987

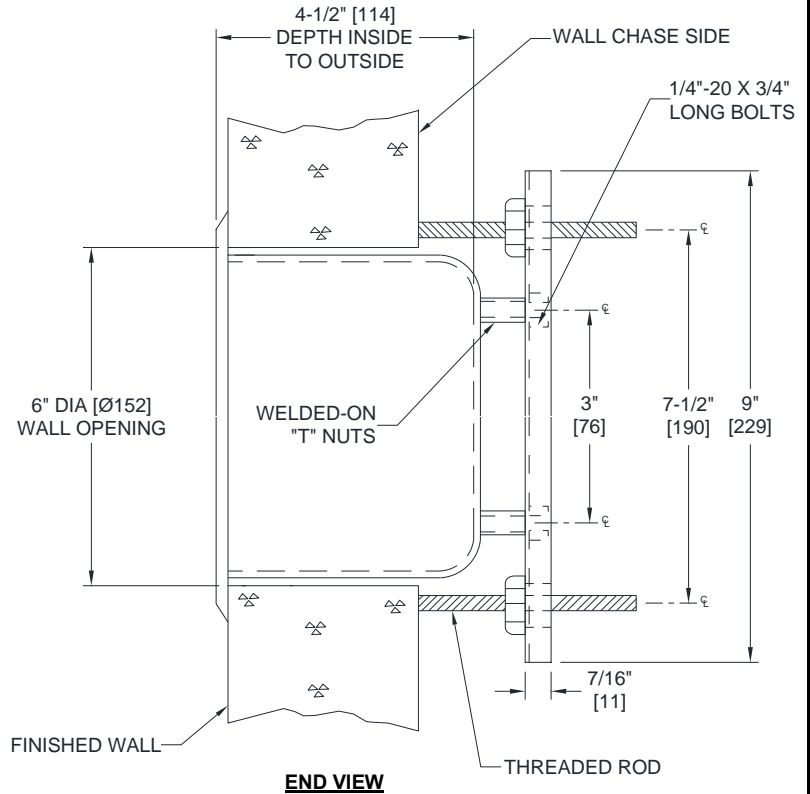
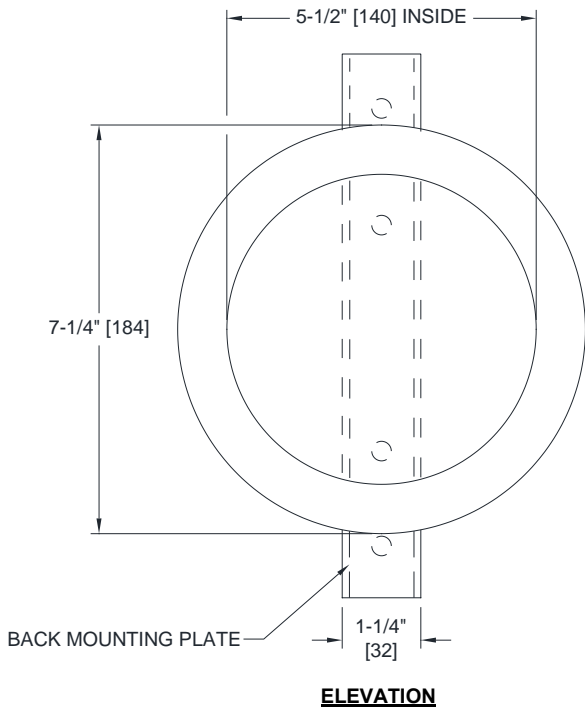
**REVISED:** 14 JAN 2022

## RECESSED TOILET PAPER HOLDER

### NOTE

ALL DIM'S INCH [MM]

ILLUSTRATION FOR REF ONLY AND NTS



### SPECIFICATION

Recessed Toilet Paper Holder with round bezel for chase mounting shall hold one (1) standard toilet paper roll and shall be 14 gage type 304 stainless steel alloy 18-8. Beveled trim shall have satin finish. Two (2) anchor 1/4-20 T-nuts are welded to holder back. Back mounting plate shall be 11 gage die-formed galvanized steel. Hardware mounting kit (supplied) shall include two (2) threaded rods 1/4-20 x 8" [204] long with four (4) each washers and nuts, back mounting plate and two (2) bolts 1/4-20 x 3/4" [19] long to hold back mounting plate in place. Orientation of threaded rods and bolts shall accommodate shallow or deep wall installation.

**Recessed Toilet Paper Holder shall be Model № 110 as manufactured by American Specialties, Inc., 441 Saw Mill River Road, Yonkers, NY 10701-4913**

### INSTALLATION

For compliance with 2010 ADA Accessibility Standards install unit so that centerline of paper holder is between 19" [483] Minimum Above Finished Floor (AFF) to 44" [1118] Maximum AFF and centerline of roll is between 7" and 9" [178 ~ 229] from front of commode. Recommended mounting height is 32" [813] Min AFF. Recess mount paper holder into wall opening. For shallow wall mount plate to back of holder with two (2) bolts 1/4-20 x 3/4" [19] (provided) screwed into T-nuts. Secure unit to wall by adjusting two (2) threaded rods 1/4-20 x 8" [204] (provided) with washers and nuts (provided) to accommodate wall thickness. For thick walls use threaded rods to hold back plate to T-nuts and use bolts to clamp to inside of chase wall.

**Rough Wall Opening (RWO) required is 6" Dia [Ø152] into Chase Clearance**

### OPERATION

One roll of toilet paper is stored in the 5-1/2" Dia [Ø140] x 4-1/2" [114] deep cylindrical holder. Toilet paper is replenished on a cycle determined by maintenance needs.