



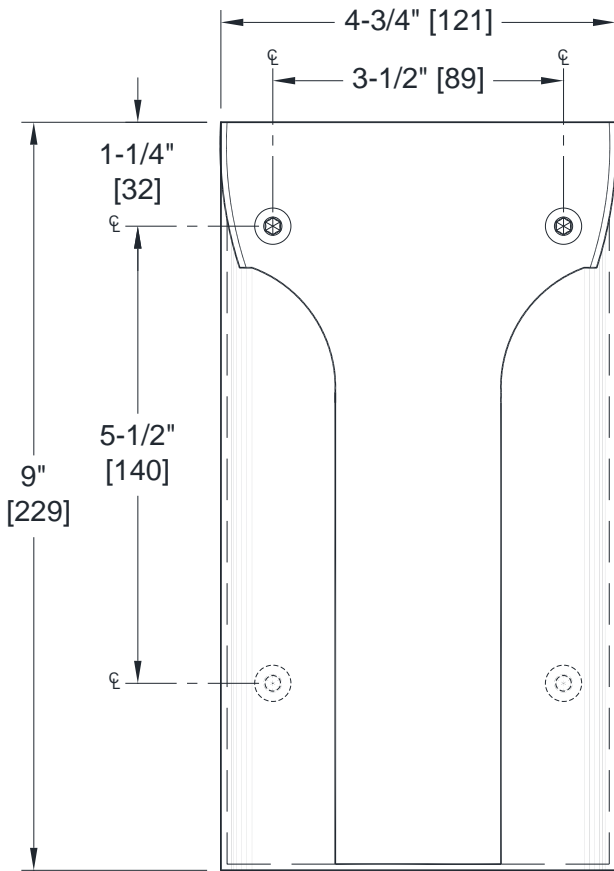
AMERICAN SPECIALTIES, INC.
 441 Saw Mill River Road, Yonkers, NY 10701
 (914) 476.9000 • (914) 476.0688
 www.americanspecialties.com

MODEL №: 117

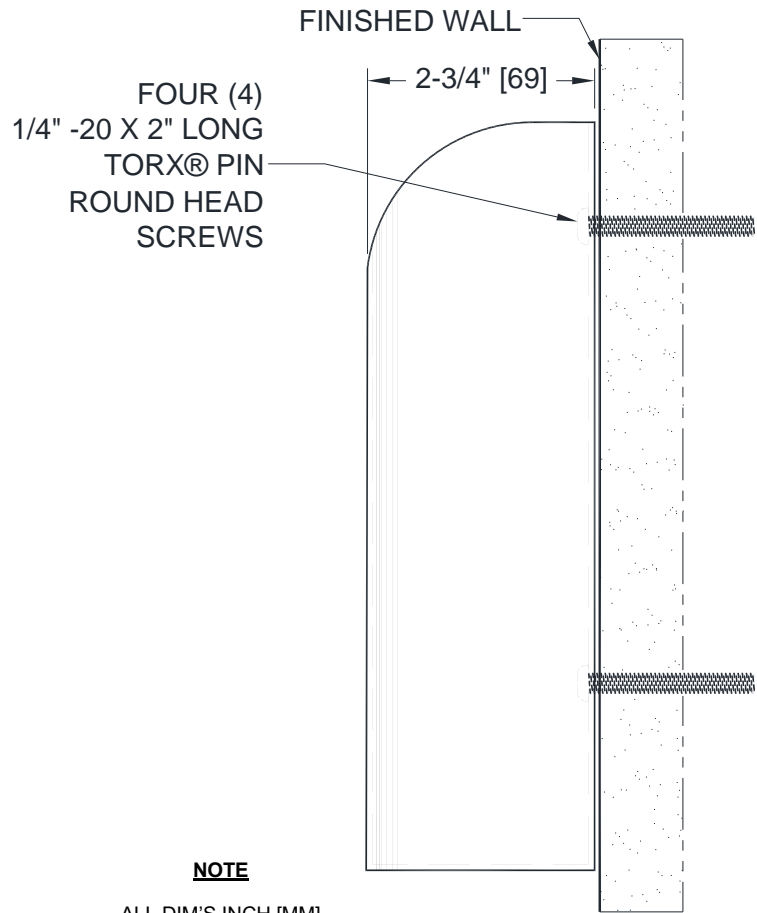
ISSUED: FEB 1987

REVISED: 14 JAN 2022

SURFACE MOUNTED FOLDED TOILET PAPER HOLDER



ELEVATION



END VIEW

NOTE

ALL DIM'S INCH [MM]

ILLUSTRATION FOR REF ONLY AND NTS

SPECIFICATION

Surface Mounted Toilet Tissue Holder shall be 14 gage type 304 stainless steel 18-8 alloy. Exterior surfaces and Interior surfaces shall have satin finish. All edges shall be welded, ground smooth and have rounded corners. Unit has four (4) mounting holes that accommodate 1/4"-20 x 2" Pin-Torx® round head machine screws (supplied) to be inserted into wall anchors (by others). Unit shall hold 320 sheets when fully loaded.

Surface Mounted Toilet Tissue Holder shall be Model № 117 as manufactured by American Specialties, Inc., 441 Saw Mill River Road, Yonkers, NY 10701-4913

INSTALLATION

For compliance with 2010 ADA Accessibility Standards, install unit so that bottom of holder is between 19" [483] Minimum Above Finished Floor (AFF) to 40" [1016] Maximum AFF and centerline of dispenser is 7" [178] to 9" [229] from front of toilet. Recommended mounting height is 32" [813] Minimum from top of holder AFF. Surface mount unit to finished wall and secure to wall anchors (by others) with four (4) 1/4"-20 x 2" Pin-Torx® round head machine screws through mounting holes provided.

OPERATION

Tissues are manually dispensed through the front slot of the unit until supply is depleted. Tissues are replenished on a cycle determined by maintenance needs.