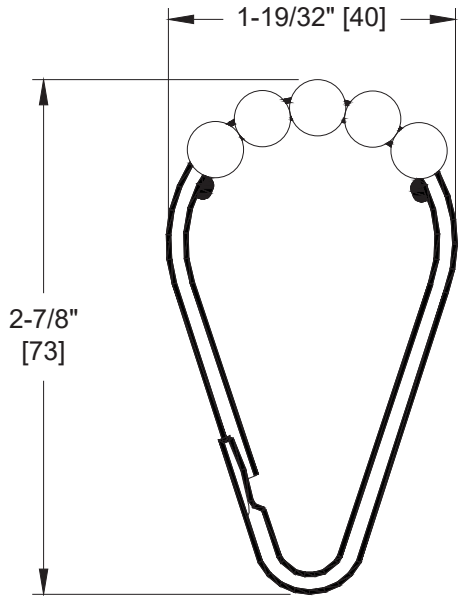


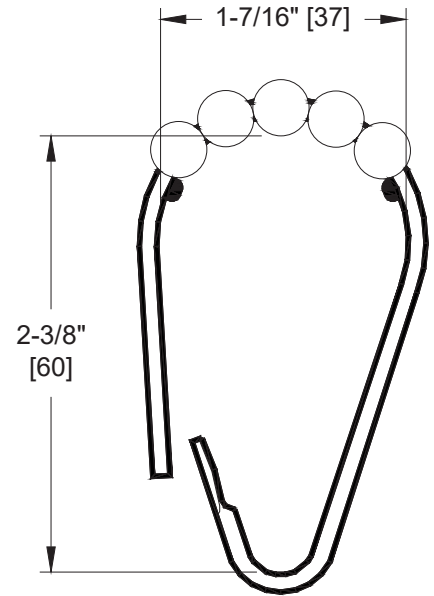
Shower Curtain Hook w/ Roller Rings – Nickel Plated Brass

Shower/Tub Accessories

MasterFormat Section 10 28 13



HOOK IN CLOSED POSITION



HOOK IN OPEN POSITION

Scan for Information

SUSTAINABILITY/LEED

MR 4.1 (1) MR 6 (1) EQ 4.2 (1)
MR 4.2 (1) EQ 4.1 (1) EQ 4.4 (1)

NOTE:
ALL DIM'S INCH [MM]
ILLUSTRATION FOR REF ONLY AND NTS

PRODUCT OVERVIEW

Solid formed wire is .091" diameter [Ø2.3] with a bright finish. Hook roller rings can fit straight, curved or custom shower rods, and it has a formed retainer to hold free end closed and accommodates 1" Dia. [Ø25] to 1-1/4" Dia. [Ø32] curtain rods. Grasping hook in both hands, use the thumb of one hand to push the hanger hook in and to one side. Release thumb pressure allowing top hook to bypass and extend over the bottom hook. Slip the hook over the shower curtain rod (specified separately). After hanging shower curtain (specified separately) use thumb pressure to replace the free leg of the hook onto the bottom hook leg-retainer.

KEY FEATURES & SPECIFICATIONS

- 5 bead design allows for smooth rolling action with minimum pull
- Rustproof and corrosion free
- Nickel Plated Brass

OPERATION & MAINTENANCE

Grasping hook in both hands, use the thumb of one hand to push the hanger hook in and to one side. Release thumb pressure allowing top hook to bypass and extend over the bottom hook. Slip the hook over the shower curtain rod (specified separately). After hanging shower curtain (specified separately) use thumb pressure to replace the free leg of the hook onto the bottom hook leg-retainer.

TECHNICAL INFORMATION / PRODUCT PROPERTIES

Property	Value
Dimensions	1-19/32" [40] x 2-7/8" [73]
Construction	Nickel Plated Brass
Mounting	N/A
Materials	.091" diameter [Ø2.3] nickel plated brass

INSTALLATION

Open hook and slip over shower curtain rod (specified separately). Hang shower curtain (specified separately) on small hook. Close hook free end into retainer on hook end.

ADDITIONAL INFORMATION

N/A

WARRANTY

One (1) Year from date of Invoice