



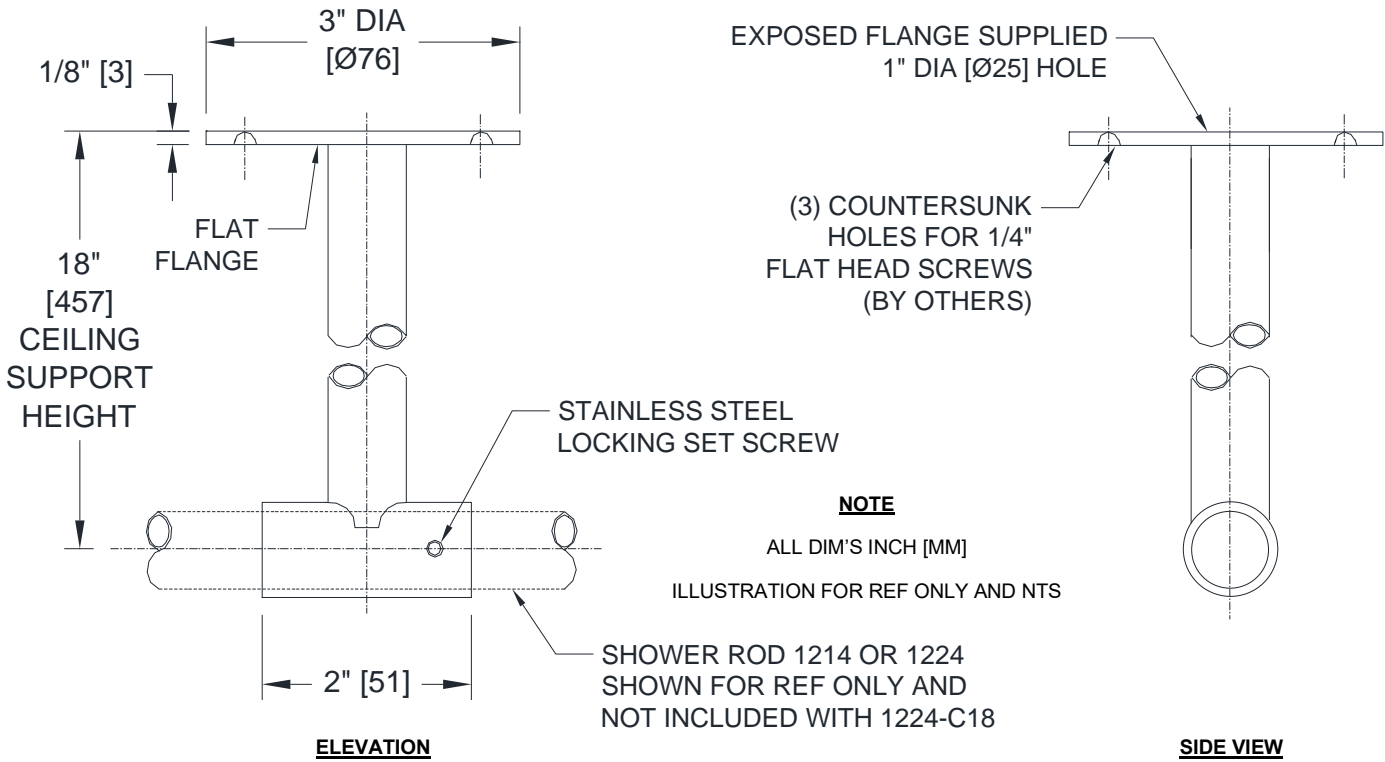
**AMERICAN SPECIALTIES, INC.**  
 441 Saw Mill River Road, Yonkers, NY 10701  
 (914) 476.9000 • (914) 476.0688  
 www.americanspecialties.com

**MODEL №:** 1224-C18

**ISSUED:** JAN 1987

**REVISED:** 19 MAY 2022

**CEILING SUPPORT**



**SPECIFICATION**

Ceiling Support shall be fabricated of alloy 18-8 stainless steel type 304 and consist of a flat exposed mounting flange, tubing and sleeve. Support shall be 18" [457] from mounting surface to center line of rod sleeve or as modification length specified below. Unit support tube shall be welded onto flat flange on one end and sleeve tubing on the other. Flat flange shall be provided with three (3) countersunk holes to accept 1/4 -20 flathead screws (by others). Support tubing shall be 1" Dia [Ø25] x 20 gage and sleeve shall be heavy wall tubing to accommodate 1" Dia [Ø25] shower rod. Sleeve shall be provided with stainless steel set screw for locking shower rod in place. Unit shall be satin finish and be protected during shipment with a PVC film easily removable after installation.

**Ceiling Support shall be Model № 1224-C18 as manufactured by American Specialties, Inc., 441 Saw Mill River Road, Yonkers, NY 10701-4913**

**INSTALLATION**

Centerline of support sleeve must match centerline of mounting height of rod flanges. Insert the appropriate 1" Dia [Ø25] shower rod through the sleeve and place trapped flanges (specified separately) at either end. Surface mount flat flange to ceiling with three screws (supplied by others) through countersunk holes provided into suitable blocking reinforcement (by others) or shield anchors (by others) or other appropriate ceiling preparation (by others). Lock shower rod into place with stainless steel set screw provided on top of the sleeve. Install end flanges in manner described in installation section of data sheet for product specified.

ORDER CONFIGURATION SCHEDULE	
MODEL №	LENGTH (HEIGHT) OF SUPPORT
1224-C18	18" [457]
1224-CM__	__" [__]