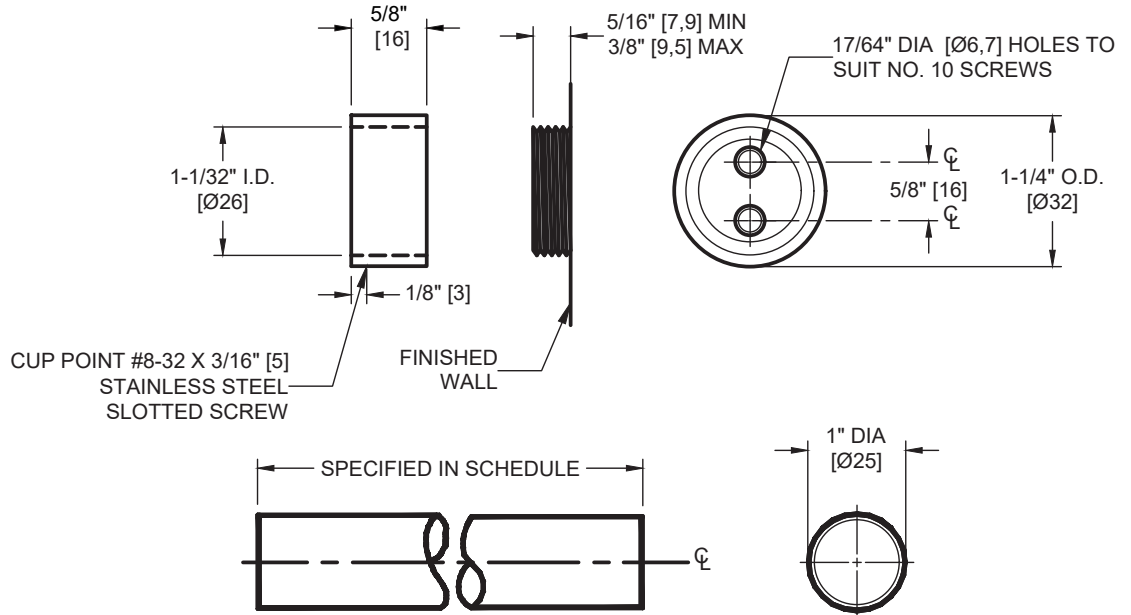


**SHOWER CURTAIN ROD W/ CONCEALED MOUNTING FLANGES**

Shower/Tub Accessories

MasterFormat Section 10 28 13



Scan for Information



**SUSTAINABILITY/LEED**

MR 4.1 (1) MR 6 (1) EQ 4.2 (1)  
MR 4.2 (1) EQ 4.1 (1) EQ 4.4 (1)

**NOTE:**  
ALL DIM'S INCH [MM]  
ILLUSTRATION FOR REF ONLY AND NTS

**PRODUCT OVERVIEW**

Rod is fabricated of 20 gauge alloy 18-8 type 304 stainless steel , 1" diameter [Ø25] tubing. Length as specified. Concealed Mounting Flanges (Part 1224-1) are chrome plated brass with a satin finish. Pair of flanges consist of a wall mounting lug and a locking sleeve. One sleeve includes locking screw to prevent rod rotation. Mounting lugs provided with (2) mounting holes to accept #10 round or pan head screws (furnished by others). Select length in inches (i.e. 48, 60, 120) to create Part Spec Order Number (i.e. 1224-60).

**KEY FEATURES & SPECIFICATIONS**

- Type 304 Stainless Steel - Satin Finish
- Wall Mounted
- Concealed Mounting Flanges

**OPERATION & MAINTENANCE**

Rod is held captive by flanges when installed properly. Rod may rotate in flanges if turned by hand. Correctly installed rod and flanges will support specified shower curtain(s) hung on hooks 1200-SHU or others (by others). Rod will bend and pull from flanges if significant body weight is suspended.

**TECHNICAL INFORMATION / PRODUCT PROPERTIES**

Property	Value
Dimensions	1" Dia. [Ø25] Tubing - Maximum length 120" [3048]
Construction	Type 304 Stainless Steel - Satin Finish
Mounting	Wall Mounted
Materials	<p><u>Tubing:</u> 18 gauge (.048" [1,22] thick) type 304 stainless steel, 1" Dia. [Ø25]. Exposed surfaces are satin finish. Edges and corners are radiused and burr free.</p> <p><u>Flanges:</u> 20 gauge (.0356" [0.9] thick) type 304 stainless steel. Exposed surfaces are satin finish. Edges and corners are radiused and burr free.</p>

**INSTALLATION**

Rod is installed in straight section between two (2) mounting flanges. Rods longer than 72" [1829] require ceiling hanger Model N°1224-C18. For use with standard shower curtain Model #1200 or #1200-V having 72" [1829] length and standard hooks Model #1200-SHU unit should be installed with rod centerline 74-1/2" [1892] AFF or 67" [1702] above tub rim to obtain 6" [152] bottom overlap.

Select length in inches (i.e. 48, 60, 120) to create Part Spec Order Number (i.e. 1224-60).

**SIZE OPTIONS**

<b>Options:</b>	1224-24: 24" [610]	1224-30: 30" [762]
	1224-36: 36" [914]	1224-42: 42" [1067]
	1224-48: 48" [1219]	1224-54: 54" [1372]
	1224-60: 60" [1524]	1224-66: 66" [1676]
	1224-72: 72" [1829]	

**WARRANTY**

One (1) Year from date of Invoice