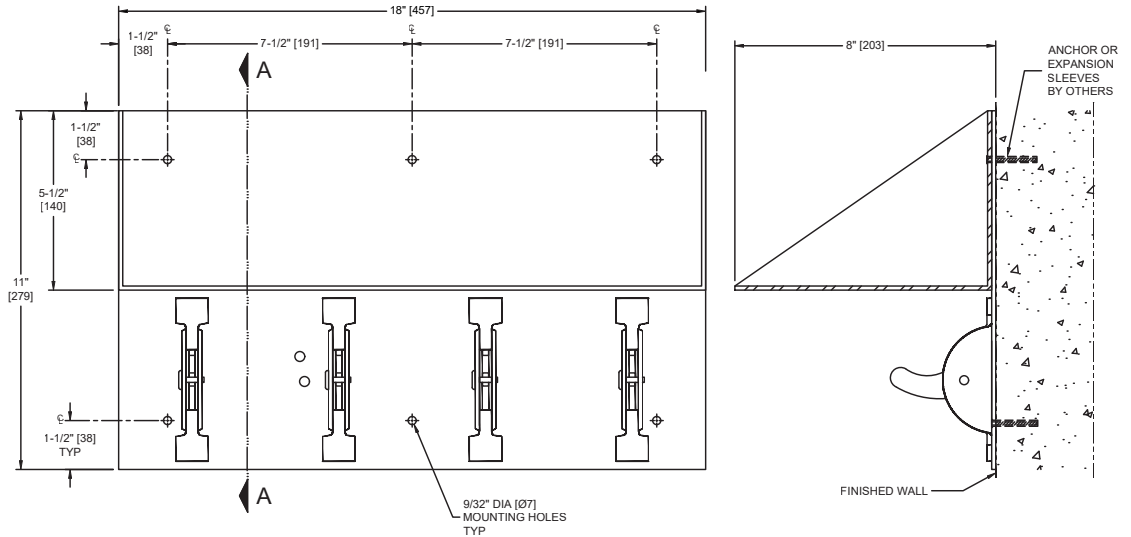


Book Shelf & Clothes Hook Strip – Front Mounting

Security Accessories

MasterFormat Section 10 28 13

DISCONTINUED 15 June 2023



Scan for Information



SUSTAINABILITY/LEED

MR 4.1 (1) MR 6 (1) EQ 4.2 (1)
MR 4.2 (1) EQ 4.1 (1) EQ 4.4 (1)

NOTE:
ALL DIM'S INCH [MM]
ILLUSTRATION FOR REF ONLY AND NTS

PRODUCT OVERVIEW

Fabricated of type 304 stainless steel alloy 18-8. Hooks are 7 gauge, brackets are 11 gauge, back plate and bookshelf are 14 gauge. Safety hook tension is adjustable by means of a captive round head stainless steel spanner screw. Hooks smoothly drop down when load exceeds 35 lb (16 kg) limit when correctly set. Hook geometry and bracket prevents hooks from being set in vertical-up position. The unit is provided with six (6) clear mounting holes that shall accept 1/4"-20 x 2" long [M6x51] stainless steel pin-Torx® button head machine screws (supplied).

KEY FEATURES & SPECIFICATIONS

- Built for high security environments
- Type 304 Stainless Steel - Satin Finish
- Front Mount
- Anti-Ligature Snap Down Hook

OPERATION & MAINTENANCE

An 18" [457] W x 8" [203] D bookshelf is provided with triangular sidewalls to function as bookends. Clothes/ towel hooks will release down when overloaded beyond the 35 lb (16 kg) limit. Hook tension may be adjusted to maintain trip threshold over the life of the product.

TECHNICAL INFORMATION / PRODUCT PROPERTIES

Property	Value
Dimensions	18" [457] W x 8" [203] H x 11" [279] H
Construction	Type 304 Stainless Steel - Satin Finish Anti-Ligature Snap Down Hook
Mounting	Front Mount

INSTALLATION

For compliance with 2010 ADA Accessibility Standards, install unit so that shelf is no more than 48" [1219] maximum Above Finished Floor (AFF). Surface mount unit on finished wall with six (6) 1/4"-20 x 2" long [M6x51] pin-Torx® button head machine screws (supplied) into wall anchors (by others) through front mounting holes provided.

SCHEDULE OF AVAILABILITY

No Options Available

WARRANTY

One (1) Year from date of Invoice