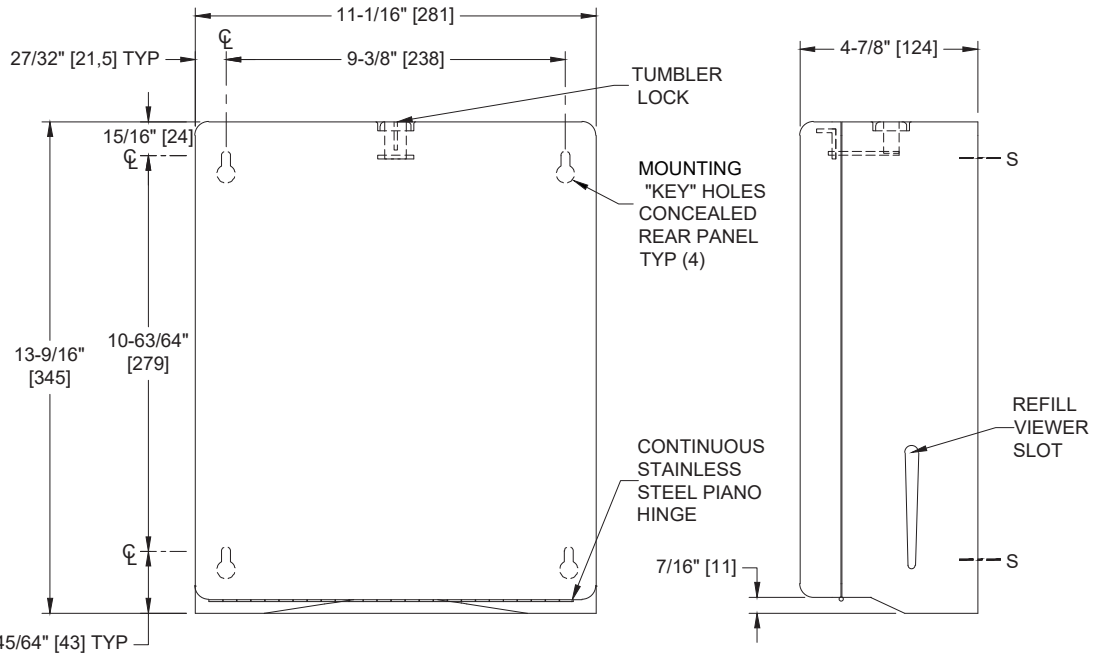
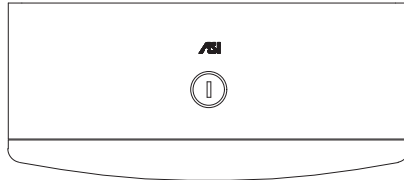


ROVAL™ SURFACE MOUNTED PAPER TOWEL DISPENSER

Paper Towel Dispensers

Roval

MasterFormat Section 10 28 13



Scan for Information



SUSTAINABILITY/LEED

MR 4.1 (1) MR 6 (1) EQ 4.2 (1)
MR 4.2 (1) EQ 4.1 (1) EQ 4.4 (1)

NOTE:
ALL DIM'S INCH [MM]
ILLUSTRATION FOR REF ONLY AND NTS
FOR CLEANING INSTRUCTIONS SEE APPROPRIATE SECTIONS IN
PRODUCT CARE & MAINTENANCE BULLETIN (PCM) ON ASI WEBSITE

PRODUCT OVERVIEW

Dispenses 400 C-fold or 525 multi-fold paper towels. Fabricated of 22 gauge type 304 stainless steel with satin finish. Fitted with tumbler lock and heavy-duty stainless steel staked piano hinge.

KEY FEATURES & SPECIFICATIONS

- Curved front adds strength and elegance
- Concealed, Multi-Staked Piano Hinge
- Type 304 Stainless Steel - Satin Finish
- Surface Mounted
- Pull Type
- 400 C-Fold or 525 Multi-Fold

OPERATION & MAINTENANCE

Towels are self-feeding as withdrawn by hand until supply is depleted. Unit may be reloaded with a partial load in-place and will continue to feed properly. Low level of towel supply is indicated from 25% capacity to empty. Locking door prevents unauthorized access or removal.

TECHNICAL INFORMATION / PRODUCT PROPERTIES

Property	Value
Dimensions	11-1/16" [281] W x 13-9/16" [345] H x 4-7/8" [124] D
Construction	Type 304 Stainless Steel - Satin Finish Concealed multi-staked hinge - 3/16" Dia. [Ø5]
Power	N/A
Operation	Pull Type
Mounting	Surface Mounted
Capacity	400 C-Fold OR 525 Multi-Fold

INSTALLATION

Surface mount unit on wall or partition using four (4) #10 self-threading screws (by others) through concealed mounting holes provided. Four mounting holes through back are keyhole slots for ease in hanging unit on pre-installed screws. Center top mounting hole is horizontal slot for ease of adjustment and vandal resistant locking. For compliance with 2010 ADA Accessibility Standards install unit so that centerline of towel dispenser slot is 48" [1219] maximum above finished floor (AFF).

WARRANTY

One (1) Year from date of Invoice