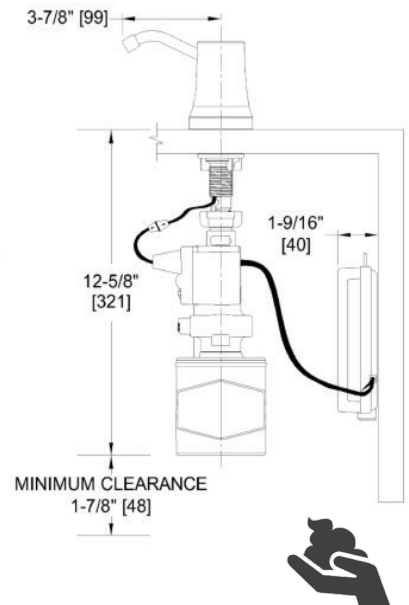


AUTO FOAM SPACE SAVER



FEATURES:

- **Battery powered automatic foam soap dispensing**
- **54 oz tank with space saving design**
- **Polished chrome plated brass body and spout**
- **LED lights that indicate soap level and battery condition**
- **Push-button, quick-release tank for easy refilling**
- **pH range: 7 ± 1.5 | Viscosity: 1.5~10 cP (mPa•s)**



A vanity mounted automatic foam soap dispenser that's reliable and looks great too.

Equipped with a large 54 oz translucent space-saver tank, this soap dispenser can handle high traffic environments while fitting in tight spaces. Its polished chrome plated finish accentuates any design style. LED lights indicating soap level and battery condition take the guess work out of maintenance. A push-button release mechanism makes refilling the tank a breeze and concealed switches allow two modes of soap level indication. Flexibility, Elegance, Innovation - an ASI hallmark.

American Specialties, Inc.
441 Saw Mill River Rd, Yonkers, NY 10701
Tel: 914.476.9000 Fax: 914.476.0688
E-mail: info@americanspecialties.com
Web: americanspecialties.com

ASI Group
Integrated Building Products