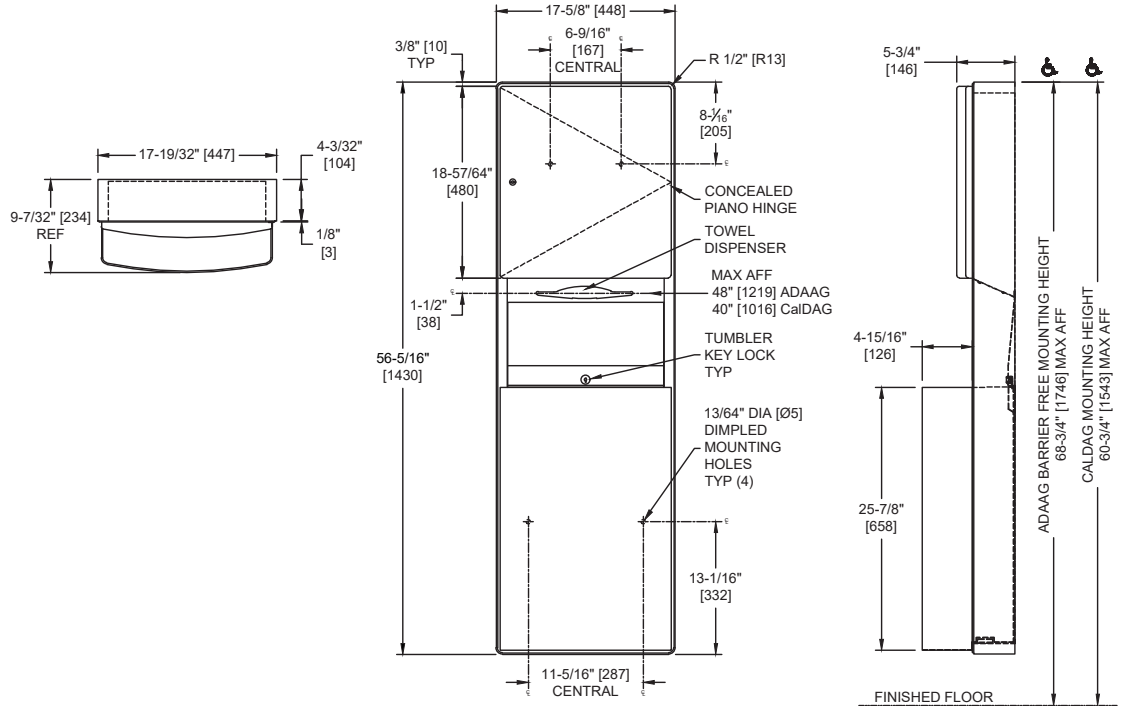


Roval™ Surface Mounted Paper Towel Dispenser & Removable Waste Receptacle

Paper Towel Combination Units

Roval

MasterFormat Section 10 28 13



Scan for Information



SUSTAINABILITY/LEED

MR 4.1 (1) EQ 4.1 (1)
MR 4.2 (1) EQ 4.2 (1)
MR 6 (1) EQ 4.4 (1)

NOTE:
ALL DIM'S INCH [MM]
ILLUSTRATION FOR REF ONLY AND NTS
FOR CLEANING INSTRUCTIONS SEE APPROPRIATE SECTIONS IN
PRODUCT CARE & MAINTENANCE BULLETIN (PCM) ON ASI WEBSITE

PRODUCT OVERVIEW

Dispenses 600 C-fold or 800 multi-fold paper towels. 14.8 gal. (56 L) removable waste receptacle. Door made of 18 gauge type 304 stainless steel with a heavy-duty 3/16" [4,7] staked piano hinge. Surface mounted with stainless steel collar. Towels are self-feeding upon user manual demand until supply is depleted. Unit may be reloaded with a partial load in-place and will continue to feed properly. Towels are replenished and waste receptacle is emptied manually. Locked door and waste receptacle prevents unauthorized access or removal.

KEY FEATURES & SPECIFICATIONS

- Curved front adds strength and elegance
- Concealed, Multi-Staked Piano Hinge - Removable Waste Can
- Type 304 Stainless Steel - Satin Finish
- Surface Mounted - w/ -9 Collar
- Pull Type
- 600 C-Fold or 800 Multi-Fold / 14.8 Gal. (56.0 L) Waste Capacity

OPERATION & MAINTENANCE

Towels are self-feeding upon user manual demand until supply is depleted. Unit may be reloaded with a partial load in place and will continue to feed properly. Towels are replenished and waste receptacle is emptied manually on a cycle determined by maintenance needs. Locked door and waste receptacle prevents unauthorized access or removal.

TECHNICAL INFORMATION / PRODUCT PROPERTIES

Property	Value
Dimensions	17-5/8" [448] W x 56-5/16" [1430] H x 9-7/32" [234] D
Construction	Type 304 Stainless Steel - Satin Finish Concealed, Multi-Staked Piano Hinge Pull Type
Mounting	Surface Mounted - w/ -9 Collar
Capacity	600 C-Fold or 800 Multi-Fold / 14.8 Gal. (56.0 L) Waste Capacity

INSTALLATION

Surface mount unit on wall using #10 self-threading flat head screws (by others) through concealed mounting holes provided. For compliance with 2010 ADA Accessibility Standards mount unit with centerline of towel outlet 48" [1219] maximum Above Finish Floor (AFF). Install unit for general utility with bottom edge 10" [254] to 20-1/2" [521] AFF.

WARRANTY

One (1) Year from date of Invoice