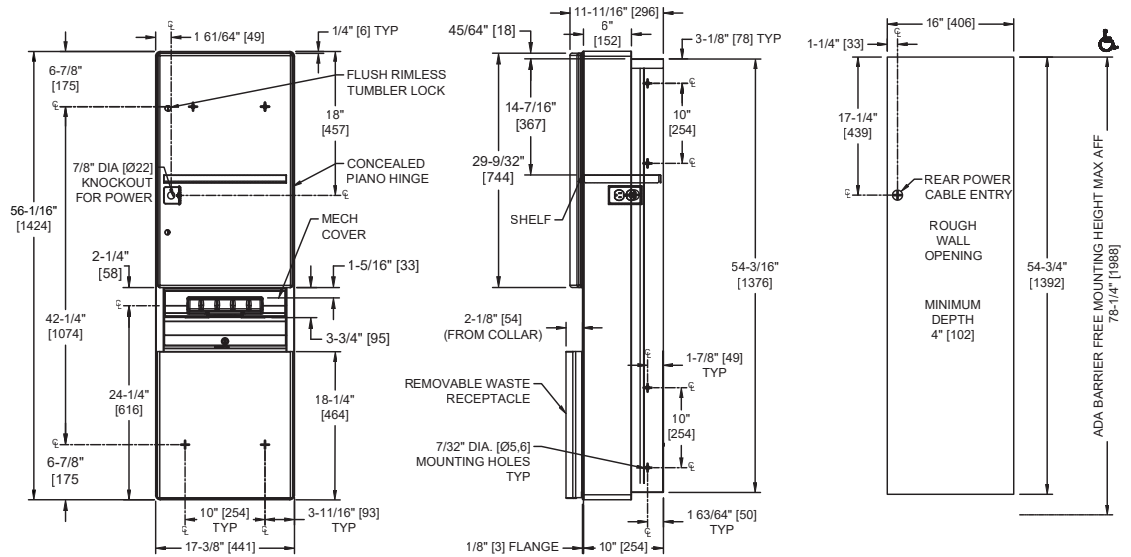


Royal™ Semi-Recessed Automatic Roll Paper Towel Dispenser & Waste Receptacle

Paper Towel Combination Units

Royal

MasterFormat Section 10 28 13



Scan for Information



SUSTAINABILITY/LEED

MR 4.1 (1) MR 6 (1) EQ 4.2 (1)
MR 4.2 (1) EQ 4.1 (1) EQ 4.4 (1)

NOTE:
ALL DIM'S INCH [MM]
ILLUSTRATION FOR REF ONLY AND NTS
FOR CLEANING INSTRUCTIONS SEE APPROPRIATE SECTIONS IN
PRODUCT CARE & MAINTENANCE BULLETIN (PCM) ON ASI WEBSITE

PRODUCT OVERVIEW

Proximity sensing no-touch unit dispenses a pre-set length per cycle from 8" [205] or 9" [230] wide standard towel roll up to 800 ft. (244m) long and has stub roll capability for continuous dispensing. Smaller waste receptacle, 13.5 gal. (51.1 L), allows unit to be ADA compliant. Internal shelf is ideal for paper towel storage. Towel length is determined by owner by setting length, delay and paper saver switches. Powered by internal low-voltage adapter (supplied) using 110-240VAC, 50/60 Hz and providing output of 6VDC @ 2A. Semi-recessed with stainless steel collar.

KEY FEATURES & SPECIFICATIONS

- Curved front adds strength and elegance
- Concealed, Multi-Staked Piano Hinge - Removable Waste Can
- Type 304 Stainless Steel - Satin Finish
- Semi-Recessed - w/ -6 collar
- Automatic - AC Operated - "No Touch"
- RollTowels - up to 800 ft. [244M] Length / 13.5 Gal. (51.1 L) Waste Capacity

OPERATION & MAINTENANCE

Towels are dispensed one length at a time automatically when hands are placed in sensor zone until supply is depleted. Owner predetermines length of towel dispensed by making selections on three (3) three-position switches for length, delay, and economy. Unit may be reloaded with a full roll to automatically start when finished with an existing partial roll and will continue to feed properly when reloaded with a full roll and partial roll is transferred to stub roll position. Refill dispenser by unlocking door and replacing towel roll for an empty or partially empty unit. Dispenser supply is replenished and waste receptacle is emptied manually on cycles determined by maintenance needs. LED indicates sensing and operation. Locking compartment door and receptacle retainer prevents unauthorized access and roll removal.

TECHNICAL INFORMATION / PRODUCT PROPERTIES

Property	Value
Dimensions	17-5/8" [447] W x 56-5/16" [1430] H x 11-11/16" [297] D
Construction	Type 304 Stainless Steel - Satin Finish Concealed, Multi-Stacked Piano Hinge
Power	110 ~ 240 VAC, 50/60 Hz for AC Adapter (provided, Model No 72-ACA) with output of 6 VDC @ 2A
Operation	Automatic "No-Touch"
Mounting	Semi-Recessed - w/ 6" collar
Capacity	Roll Towels - up to 800 ft. Length / 13.5 Gal. (51.1 L) Waste Capacity

INSTALLATION

Provide adequate in-wall reinforcement (by others) in drywall construction to hold mounted unit in-service after wall is finished. Provide appropriate anchors (by others) to suit wall and field conditions for installation into walls other than new drywall. Mount unit in wall recess using #10 self-threading screws (by others) through concealed mounting holes provided. Note that top of RWO is 25/32" [20] below top of unit. Power is supplied by code approved cable or conduit (by others) to RWO at either of two [2] available locations indicated on diagram and terminated in utility duplex outlet box (provided) inside cabinet. Power required is 110-240VAC, 50/60 Hz protected by a 15A circuit breaker (by others) for low voltage adapter that draws 1/4 Amp. Power adapter for dispenser unit is supplied cabled and plugged into dispenser and is plugged into duplex outlet (by others). For compliance with ICC/ANSI A-117.1-2003 and 2010 ADA Accessibility Standards, install unit so that top edge of towel dispenser opening is 48" [1219] maximum Above Finished Floor (AFF) only if clear floor reach access is provided. Be advised that local codes may require mounting so that top of towel dispenser opening is 40" [1016] max AFF (e.g. California UBC/Title 24).

Rough Wall Opening (RWO) required is 15-13/16" [402] W x 54-11/16" [1389] H x 4" [102] D minimum

WARRANTY

One (1) Year from date of Invoice