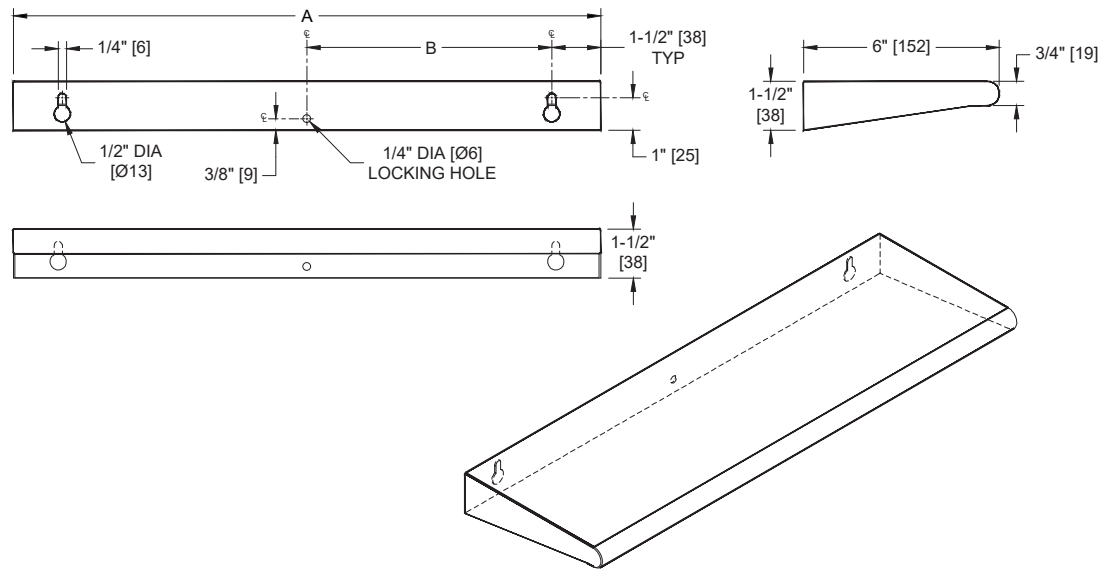


Royal™ Surface Mounted Shelf, Various Widths

Shelves

Royal

MasterFormat Section 10 28 13



SCHEDULE OF AVAILABILITY

SHELF WIDTH & MODEL SUFFIX ADDER		SHELF MOUNTING HOLE SPACING		
6" [152] depth/length	Specify depth/length	A = Length	B = Spacing	C = Number of Keyholes
-618	-XX18	18" [457]	7-1/2" [191]	2
-624	-XX24	24" [610]	10-1/2" [267]	2
-630	-XX30	30" [762]	6-3/4" [171]	4
-636	-XX36	36" [914]	8-1/4" [210]	4
-648	-XX48	48" [1219]	11-1/4" [286]	4
-660	-XX60	60" [1524]	14-1/4" [362]	4
-672	-XX72	72" [1829]	11-1/2" [292]	6
-6AA	-DDAA	AA" [A mm]	BB" [B mm]	N

NOTE:
ALL DIM'S INCH [MM]
ILLUSTRATION FOR REF ONLY AND NTS
FOR CLEANING INSTRUCTIONS SEE APPROPRIATE SECTIONS IN
PRODUCT CARE & MAINTENANCE BULLETIN (PCM) ON ASI WEBSITE



SUSTAINABILITY/LEED

MR 4.1 (1) MR 6 (1) EQ 4.2 (1)
MR 4.2 (1) EQ 4.1 (1) EQ 4.4 (1)

PRODUCT OVERVIEW

Fabricated of 18 gauge type 304 stainless steel, the 6" [152] deep shelf has a 3/4" [19] gently radiused edge that uniquely complements the curves of the ASI Royal™ Collection. Various widths available.

KEY FEATURES & SPECIFICATIONS

- Rounded Edge Shelf
- Type 304 Stainless Steel - Satin Finish
- Surface Mounted

OPERATION & MAINTENANCE

Shelf is stable and stationary after proper and secure mounting to adequate wall reinforcement or stud structure. Shelf is suitable for wet (self-contained) or dry materials storage.

TECHNICAL INFORMATION / PRODUCT PROPERTIES

Property	Value
Dimensions	Various Sizes 6" [152] D x 12" [305] W - 72" [1829] L
Construction	Type 304 Stainless Steel - Satin Finish
Mounting	Surface Mounted

INSTALLATION

Unit is surface mounted on wall or partition using #12AB-14 or #12BP-14 [M6] self-threading pan head screws or other appropriate fasteners (by others) through (#C) keyholes and one (1) locking hole provided in rear support bracket. Ensure that adequate in wall blocking or other reinforcement is provided (by others) to support shelf and intended loading weight. For compliance with 2010 ADA Accessibility Standards install unit so that shelf top is between 48" [1219] maximum Above Finished Floor (AFF) and 32" [813] minimum AFF. Typical for general utility is 42" [1067] AFF or 18" [457] above washbasin.

SCHEDULE OF AVAILABILITY

Size chart:	20692-612 – 6" [152] Deep x 12" [305] wide	20692-616 – 6" [152] Deep x 16" [406] Wide
	20692-618 – 6" [152] Deep x 18" [457] Wide	20692-624 – 6" [152] Deep x 24" [609] Wide
	20692-630 – 6" [152] Deep x 30" [762] Wide	20692-636 – 6" [152] Deep x 36" [914] Wide
	20692-648 – 6" [152] Deep x 48" [1219] Wide	20692-660 – 6" [152] Deep x 60" [1524] Wide
	20692-672 – 6" [152] Deep x 72" [1829] Wide	

WARRANTY

One (1) Year from date of Invoice