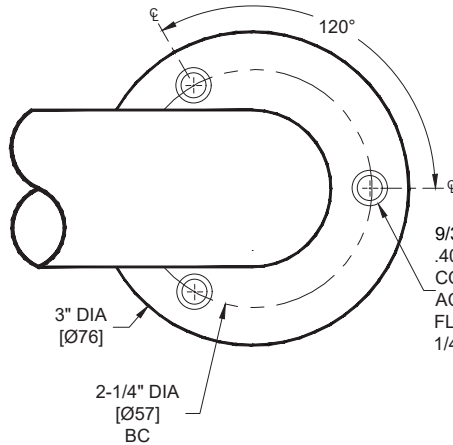


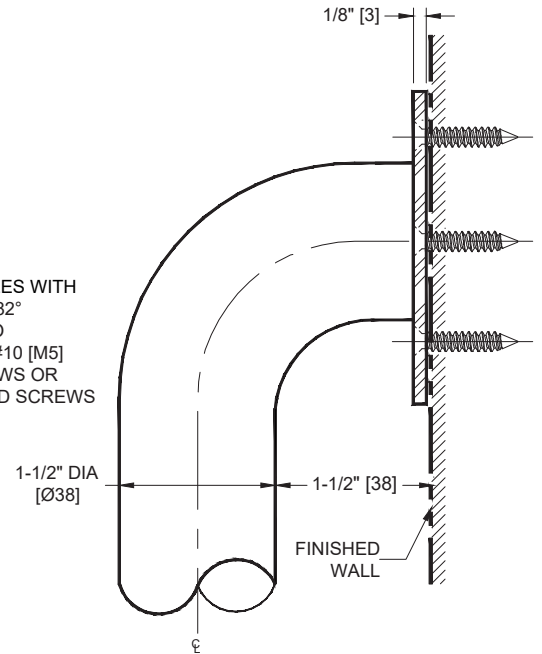
1-1/2" Dia. Exposed Mounting Grab Bar

Grab Bars

MasterFormat Section 10 28 13



9/32" DIA [Ø7] HOLES WITH
.40" DIA [Ø10.2] X 82°
COUNTERSINK TO
ACCOMMODATE #10 [M5]
FLAT HEAD SCREWS OR
1/4" [M6] PAN HEAD SCREWS



NOTE:
ALL DIM'S INCH [MM]
ILLUSTRATION FOR REF ONLY AND NTS

Scan for Information



SUSTAINABILITY/LEED

MR 4.1 (1) MR 6 (1) EQ 4.2 (1)
MR 4.2 (1) EQ 4.1 (1) EQ 4.4 (1)

PRODUCT OVERVIEW

Features include flange of 3" diameter [Ø76], 1/8" [3] thick type 304 stainless steel with a satin finish; exposed mounting screw holes are drilled and countersunk. 1-1/2" O.D [Ø38] exposed flange horizontal grab bar with a smooth surface.

KEY FEATURES & SPECIFICATIONS

- Exposed Flange - 3" diameter [Ø76], 1/8" [3] thick
- Type 304 Stainless Steel - Satin Finish
- For optional non-slip grip surface add suffix -P (peened).
- Surface Mounted - See Diagram Backplate mounting holes
- 18 gauge tubing with 1-1/2" Outside Diameter [Ø38]
- Various Lengths