



**AMERICAN SPECIALTIES, INC.**

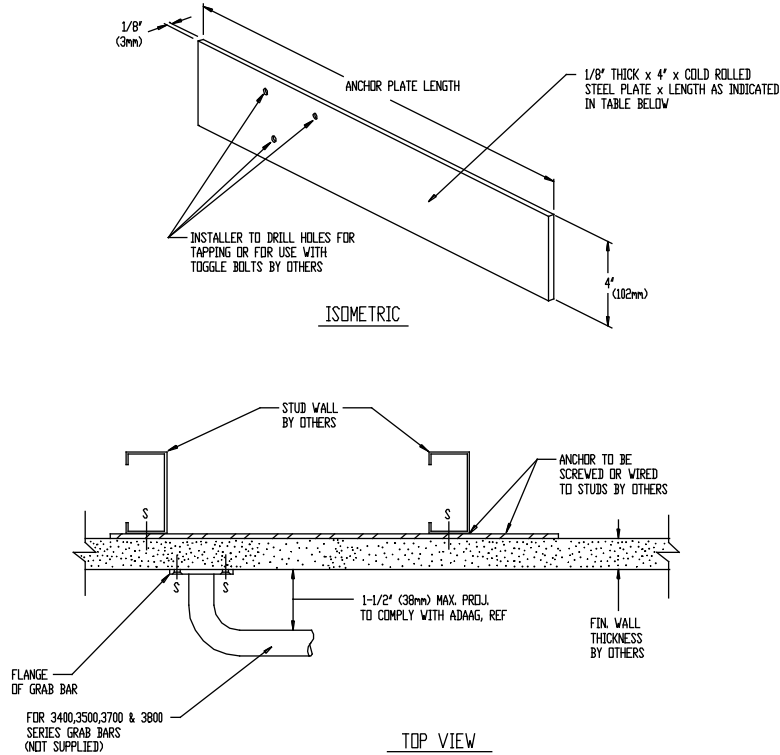
441 Saw Mill River Road, Yonkers, NY 10701 (914) 476-9000

MODEL No: 3929

ISSUED: 1-87

REVISED: 6-98

**IN-WALL ANCHOR**



**SPECIFICATION**

In-Wall Anchor shall be suitable for securing grab bars with exposed and snap mounting flanges (e.g. 3300, 3400, 3500, 3700, and 3800) onto stud walls. Wall Anchor shall be fabricated of steel plate 1/8" (3mm) thick x 4" (102mm) wide x length to suit grab bar selected.

**In-Wall Anchor shall be Model № 3929 - \_\_\_\_\_ (Length of Grab Bar) as fabricated by American Specialties, Inc., 441 Saw Mill River Road, Yonkers, New York 10701-4913**

**INSTALLATION**

For compliance with ADA Accessibility Guidelines mount grab bar so that horizontal centerline is 33" (838mm) minimum to 36" (914mm) maximum above finished floor. Drill anchor plate and screw, weld or wire plate to wall stud system in exact mounting location to suit field conditions before applying finish wall material. Position grab bar in exact finished location and mark mounting holes through flanges onto wall. Drill finished wall and anchor plate at these locations for tapping for appropriate size fasteners or for use with toggle bolts (by others). Mount grab bar securely following instructions in installation section of specific model series data sheet.

| ANCHOR PART № | QUANTITY REQUIRED | ANCHOR PLATE LENGTH |
|---------------|-------------------|---------------------|
| 3929-18       |                   | 26"(660mm)          |
| 3929-24       |                   | 32"(813mm)          |
| 3929-30       |                   | 38"(965mm)          |
| 3929-36       |                   | 44"(1118mm)         |
| 3929-42       |                   | 50"(1270mm)         |
| 3929-48       |                   | 56"(1422mm)         |
| 3929-M        |                   |                     |

Accessory Specialties

AMERICAN DISPENSER

Desert Ray Products

WATROUS INC.