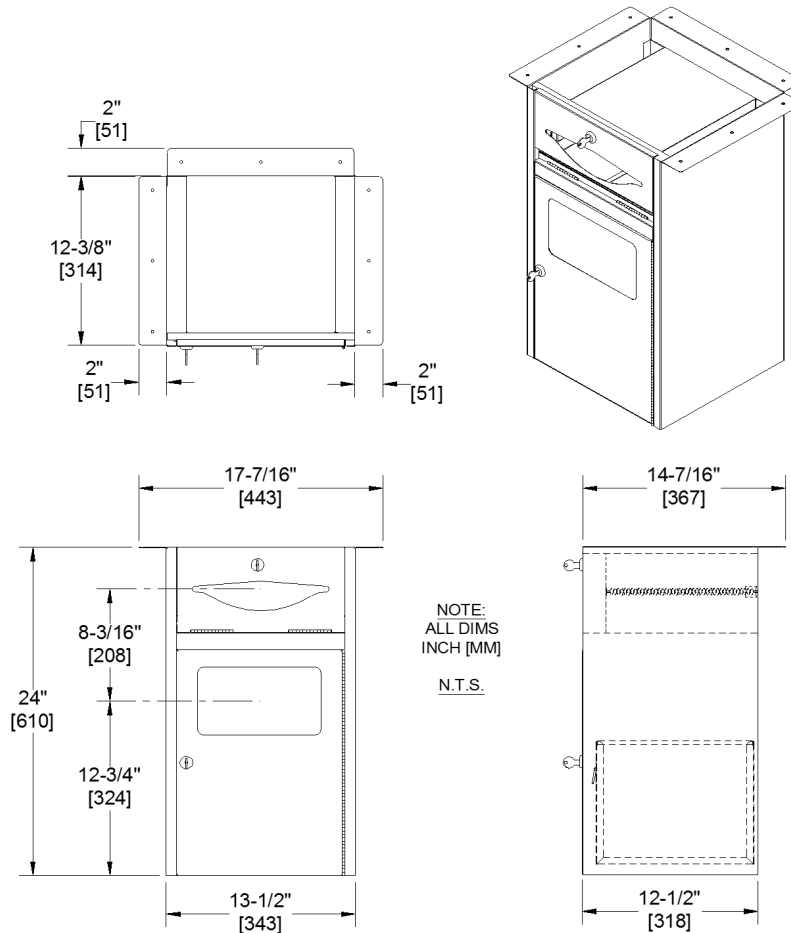




AMERICAN SPECIALTIES, INC.
 441 Saw Mill River Road, Yonkers, NY 10701
 (914) 476.9000 • (914) 476.0688
 www.americanspecialties.com

MODEL №:	4004
ISSUED:	03/2016
REVISED:	31 Mar 2016

UNDER VANITY PAPER TOWEL DISPENSER AND WASTE RECEPTACLE



SPECIFICATION

Paper towel dispenser and waste receptacle for under vanity mounting shall hold and dispense 300 C-fold or 475 multi-fold paper towels and have a waste capacity of 10 gal (38 L). Cabinet shall be 20 gage type 304 stainless steel alloy 18-8 with satin finish on all exposed surfaces. Waste disposal door shall have push door for waste opening hung on 3/16" diameter [Ø4.8] spring hinges and door shall be hung on full length 3/16" diameter [Ø4.8] piano hinge. Towel compartment door shall have hemmed TCO for user safety and shall be hung on 3/16" diameter [Ø4.8] spring hinges. Waste disposal door and towel dispenser compartment door shall be held closed with tumbler locks keyed alike to other ASI washroom equipment. Internal WR shall be 24 gage type 304 stainless steel alloy 18-8 with D-ring pull for easy access and shall have bag hooks to retain disposable liner bag (by others) for leak proof service.

Under Vanity Paper Towel Dispenser and Waste Receptacle shall be Model № 4004 as manufactured by American Specialties, Inc., 441 Saw Mill River Road, Yonkers, New York 10701-4913

INSTALLATION

Mount unit under vanity using nine (9) № 10 self-tapping screws (by others) through concealed mounting holes provided in top flanges. Minimum height of underside vanity mounting surface is 30" [762] AFF. Minimum counter depth is 28" [711] to allow cabinet front to be behind edge of counter.

OPERATION

Towels are self-feeding until supply is depleted. Unit may be reloaded with a partial load in-place and will continue to feed properly. Waste container is emptied manually on cycle determined by maintenance needs. Locked compartments prevent unauthorized access or removal.