



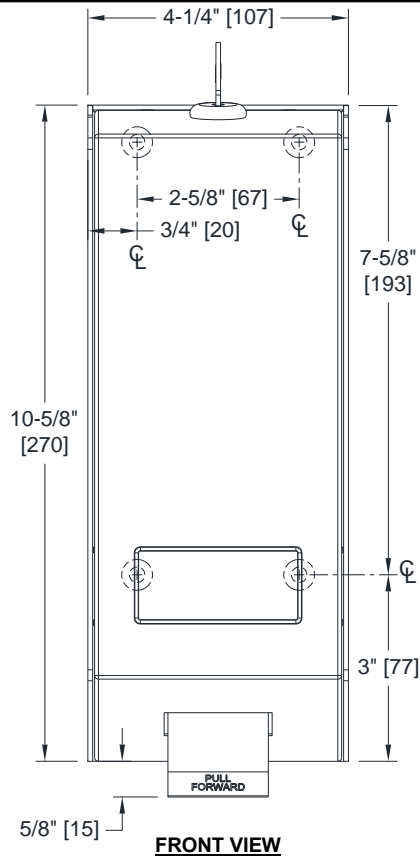
AMERICAN SPECIALTIES, INC.
441 Saw Mill River Road, Yonkers, NY 10701
(914) 476.9000 • (914) 476.0688
www.americanspecialties.com

MODEL №: 5001-SS

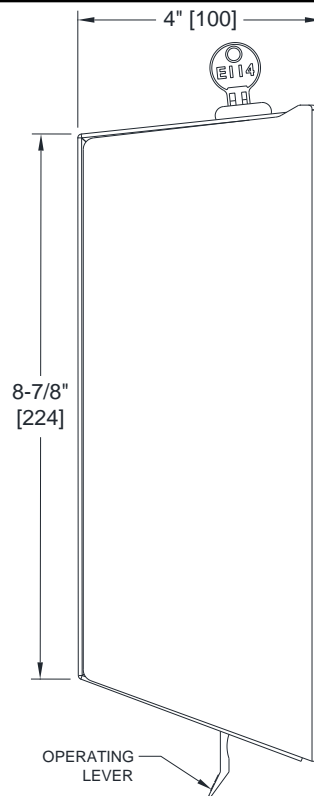
ISSUED: JAN 1987

REVISED: 10 NOV 2021

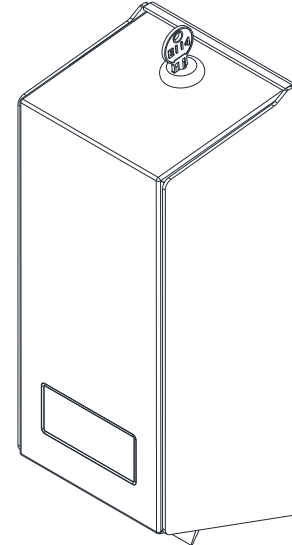
SURFACE MOUNTED DISPOSABLE CARTRIDGE SOAP DISPENSER



FRONT VIEW



SIDE VIEW



ISOMETRIC

NOTE

ALL DIM'S INCH [MM]

ILLUSTRATION FOR REF ONLY AND NTS

FOR CLEANING INSTRUCTIONS SEE APPROPRIATE SECTIONS IN PRODUCT CARE & MAINTENANCE BULLETIN (PCM) ON ASI WEBSITE

SPECIFICATION

Surface Mounted Disposable Cartridge Soap Dispenser unit shall be fabricated of alloy 18-8 stainless steel, type 304. Dispenser housing and wall bracket shall be 16 gage. Dispenser door shall be 22 gage, attached to unit at the bottom with a full length 3/16" Dia. [Ø5] stainless steel multi-staked piano hinge and held closed with a tumbler lock keyed alike to other ASI washroom equipment. Valve operation shall comply with 2010 ADA Accessibility Standards and ANSI A.117.1 by requiring no more than 5lbs_f (22.2 N) pressure to actuate and require no grasping or twisting by operator. Dispenser lever shall be a rugged chrome plated Zamak alloy casting. All exposed housing surfaces shall have satin finish and be protected during shipment with PVC film that shall be easily removable after installation. Valve shall be fabricated of heavy-duty vinyl and shall be permanently attached to a disposable soap cartridge (by others).

Surface Mounted Disposable Cartridge Soap Dispenser shall be Model № 5001-SS as manufactured by American Specialties, Inc., 441 Saw Mill River Road, Yonkers, NY 10701-4913

INSTALLATION

Install unit on wall or partition using № 10 x 1-1/2" [M5 x 40] self-threading pan head or flat head screws (by others) through concealed mounting holes. For compliance with 2010 ADA Accessibility Standards install unit so that dispenser lever is 48" [1219] Maximum Above Finished Floor (AFF) if clear floor reach access is provided or 46" [1168] Max AFF if side reach over an obstruction is only provided (i.e. vanity). For general utility install unit so that lever is 46" [1168] AFF or 15" [382] above wash basin.

OPERATION

Soap is forced through disposable valve by pulling a lever forward. Disposable cartridges (by others) are available to dispense soap, hand lotion, heavy duty cleaner, waterless cleaner, sanitizer and antiseptic soap and are typically good for 1500 washings. Typical soap cartridges are super-concentrated cleansing formula approved for medical and food handling facilities.