



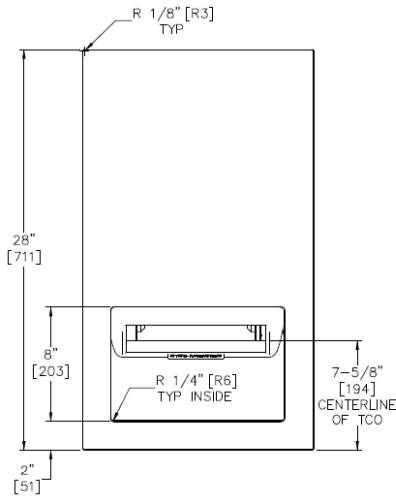
**AMERICAN SPECIALTIES, INC.**  
 441 Saw Mill River Road, Yonkers, NY 10701  
 (914) 476.9000 • (914) 476.0688  
 www.americanspecialties.com

**MODEL №: 645210AC-XX**

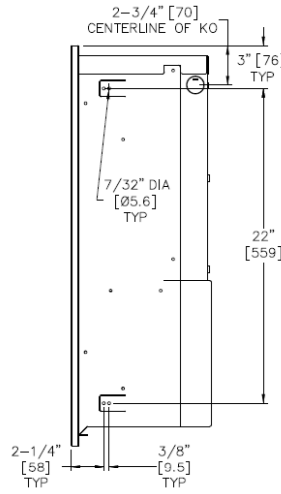
**ISSUED: 20 DEC 2018**

**REVISED: 6 FEB 2019**

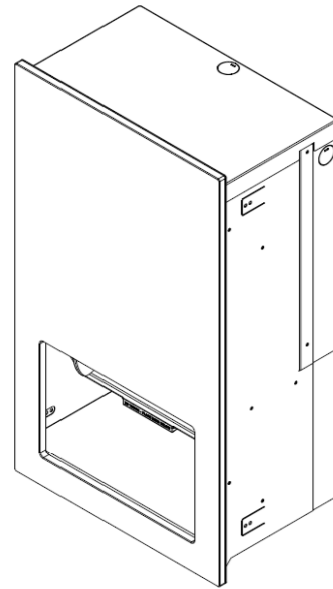
**PIATTO™ COLLECTION AUTOMATIC PAPER TOWEL DISPENSER**



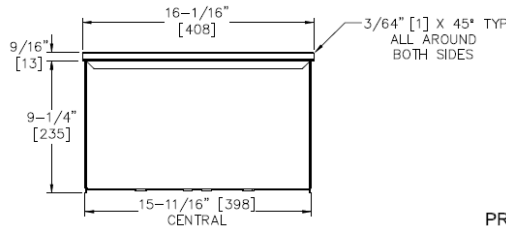
**FRONT VIEW**



**SIDE VIEW**



**ISOMETRIC**



**BOTTOM VIEW**

**NOTE**

ALL DIM'S INCH [MM]

ILLUSTRATION FOR REF ONLY AND NTS

FOR CLEANING INSTRUCTIONS SEE APPROPRIATE SECTIONS IN  
 PRODUCT CARE & MAINTENANCE BULLETIN (PCM) ON ASI WEBSITE

**SPECIFICATION**

Piatto™ Collection Automatic Paper Towel Dispenser shall hold and dispense one 8" diameter [Ø203] x 8" wide [203] standard towel roll up to 800 ft. (244m) long and one 8" wide [203] stub roll up to 4" diameter [Ø102] and shall automatically change over to main roll when finished with stub roll when feed tabs are properly engaged. Automatic Touchless Roll Towel Dispenser shall be powered by C-UL-US and CE approved internal low-voltage adapter (supplied) using 110- 240VAC, 50/60 Hz and providing output of 5VDC @ 1A and shall operate automatically to activate towel dispensing when hands are placed in sensor zone. At each activation unit shall feed out a length of towel selected by owner by setting length, delay and paper saver switches. Unit shall have an internal towel cut-off bar. Frame and cabinet shall be 20 gage type 304 alloy 18-8 stainless steel and shall have no exposed fastening devices. Flush face door shall be 1/2" [13] thick black edged Phenolic with matte black or white outer and inner surfaces as chosen by tail code on model number. Door shall be attached to the side of cabinet with two (2) zero-clearance concealed cabinet hinges and shall be held closed with a spring-pin L-latch. Structural assembly of all components shall be of welded construction. OM & IG shall be packed with unit. Installation set-back gage and depth stops shall be provided.

**Piatto™ Collection Automatic Paper Towel Dispenser shall be Model № 645210AC-XX (Replace -XX with -00 for White or -41 for Matte Black) as Manufactured by American Specialties, Inc., 441 Saw Mill River Road, Yonkers, New York 10701-4913**

**INSTALLATION**

Mount unit in wall recess using four (4) № 10 x 1-1/2" [M5 x 38] self tapping Pan Head screws (by others) through concealed mounting holes provided in Shim-less adjustable mounting tabs. For compliance with 2010 ADA Accessibility Standards install unit so that towel dispenser outlet is 48" [1219] maximum above finished floor (AFF). For general utility mount unit 47-3/8" [1203] from top of finished floor to bottom of unit. See OM & IG for complete installation instructions packed with unit. Power is supplied by code approved cable or conduit (by others) to FWO at any one of three (3) available locations indicated on diagram and terminated in utility simplex outlet box (provided) inside cabinet. Power required is 110-240VAC at 50/60 Hz protected by a 15A circuit breaker (by others) for low voltage adapter that draws 1/4 Amp. Power adapter for dispenser unit is supplied cabled and plugged into dispenser and is plugged into simplex outlet (by others). Sensor ground wire must be connected inside cabinet.

**Finished Wall Opening (FWO) required is 16-1/8" [410] W x 28-1/16" [713] H x 10" [254] D minimum**

**OPERATION**

Towels are dispensed one length at a time automatically when hands are placed in sensor zone until supply is depleted. Length of towel dispensed is predetermined by owner by making selections on three (3) three-position switches for length, delay, economy. Unit may be reloaded with a full roll to automatically start when finished with an existing partial roll and will continue to feed properly when reloaded with a full roll and partial roll is transferred to stub roll position. Refill dispenser by opening the door and replacing towel roll for an empty or partially empty unit. Dispenser supply is replenished manually on cycles determined by maintenance needs. LED indicates sensing only.