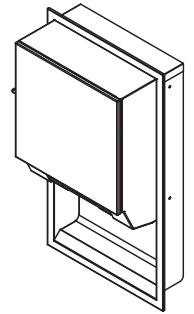
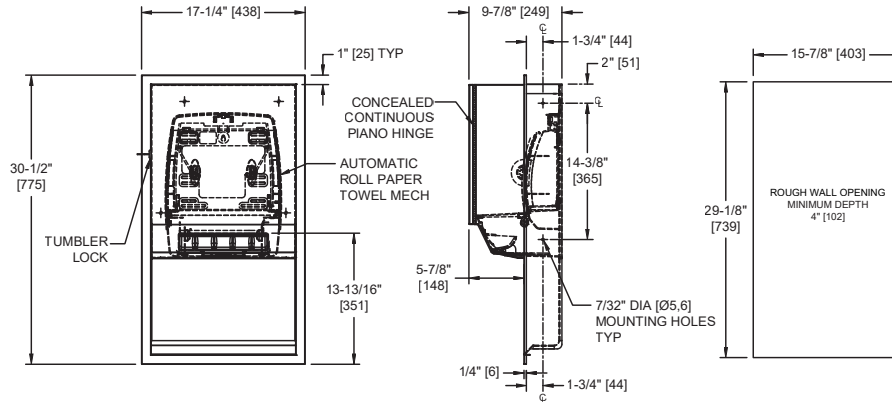


**Simplicity™ - Automatic Paper Towel Dispenser - Roll - Battery Operated - Recessed**

Paper Towel Dispensers

Simplicity

MasterFormat Section 10 28 13



Scan for Information



**SUSTAINABILITY/LEED**

MR 4.1 (1) MR 6 (1) EQ 4.2 (1)  
MR 4.2 (1) EQ 4.1 (1) EQ 4.4 (1)

**NOTE:**  
ALL DIM'S INCH [MM]  
ILLUSTRATION FOR REF ONLY AND NTS  
FOR CLEANING INSTRUCTIONS SEE APPROPRIATE SECTIONS IN  
PRODUCT CARE & MAINTENANCE BULLETIN (PCM) ON ASI WEBSITE

**PRODUCT OVERVIEW**

Proximity sensing no-touch unit dispenses a pre-set length per cycle from 8" [205] or 9" [230] wide standard towel roll up to 800 ft. (244m) long and has stub roll capability for continuous dispensing. Powered by 4 D-size batteries (not included) and operates automatically to activate towel dispensing when hands are placed in sensor zone.

**KEY FEATURES & SPECIFICATIONS**

- Seamless construction, crisp lines and minimalistic design
- Concealed multi-staked hinge - 3/16" diameter [Ø5]
- Cabinet and frame are made of Type 304 Stainless Steel - Satin Finish
- Recessed
- Automatic - Battery Operated - "No Touch"
- Roll Towels - up to 800 ft. Length

**OPERATION & MAINTENANCE**

Towels are dispensed one at a time automatically when hands are placed in sensor zone until supply is depleted. Length of towel dispensed is predetermined by owner by making selections on three (3) three position switches for length, delay, economy. Unit may be reloaded with a full roll to automatically start when finished with an existing partial roll and will continue to feed properly when reloaded with a full roll and partial roll is transferred to stub roll position. Refill dispenser by unlocking door and replacing towel roll for an empty or partially empty unit. Locking compartment prevents unauthorized access and roll removal. LED indicates sensing and battery condition. Instructional label is provided inside cabinet for service replacement of roll towels and setting of length, dispense delay and economy switches. Dispenser supply is replenished manually on cycles determined by maintenance needs.

**TECHNICAL INFORMATION / PRODUCT PROPERTIES**

Property	Value
Dimensions	17-1/4" [438] W x 30-1/2" [775] H x 9-7/8" [249] D
Construction	Type 304 Stainless Steel - Satin Finish Concealed multi-staked hinge - 3/16" diameter [Ø5]
Power	Batteries: Four (4) D-size
Operation	Automatic "No-Touch"
Mounting	Recessed
Capacity	Roll Towels - up to 800 ft. Length

**INSTALLATION**

Mount unit in wall using #10 self-threading screws (by others) through concealed mounting holes provided. For compliance with 2010 ADA Accessibility Standards, 2015 ABA Standards and ICC/ANSI A-117.1 install unit so that bottom edge of towel dispenser door is 48" [1219] maximum Above Finished Floor (AFF).

Rough Wall Opening (RWO) required is 15-7/8" [403] W x 29-1/8" [740] H x 4" [102] D minimum

**WARRANTY**

One (1) Year from date of Invoice