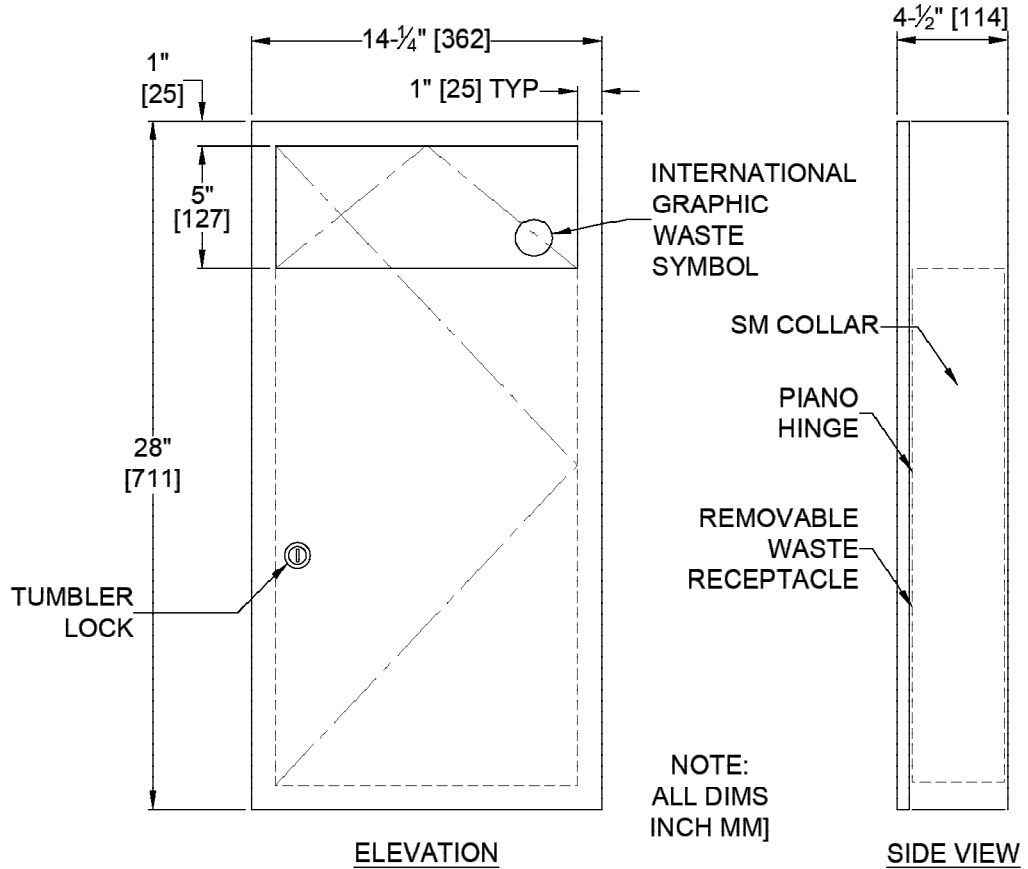


Simplicity™ Collection Waste Receptacle – Surface Mounted

Waste Receptacles

Simplicity

MasterFormat Section 10 28 13



Scan for Information



SUSTAINABILITY/LEED

MR 4.1 (1) MR 6 (1) EQ 4.2 (1)
MR 4.2 (1) EQ 4.1 (1) EQ 4.4 (1)

NOTE:
ALL DIM'S INCH [MM]
ILLUSTRATION FOR REF ONLY AND NTS

PRODUCT OVERVIEW

Stainless steel waste receptacle holds 4 gal. (15 L) of waste and has a self-closing panel that covers its opening. Cabinet door held closed with a tumbler lock. Waste container fabricated of heavy duty corrosion resistant steel with a handle for easy grip. Waste is inserted through self-closing push door. Locked compartment prevents unauthorized access. Full face door shall be formed from one piece of 18 gauge alloy 18-8 type 304 stainless steel, cabinet shall be 20 gauge same grade stainless steel with no fastening devices or spot welded seams.

KEY FEATURES & SPECIFICATIONS

- Seamless construction, crisp lines and minimalistic design
- Type 304 Stainless Steel - Satin Finish
- Surface Mounted
- Push door has self-closing spring
- 4.0 Gal. (15.0 L) Waste Capacity

OPERATION & MAINTENANCE

Waste is inserted through self-closing push door. Waste container is emptied manually on cycle determined by maintenance needs. Locked compartment prevents unauthorized access.

TECHNICAL INFORMATION / PRODUCT PROPERTIES

Property	Value
Dimensions	14-1/4" [362] W x 28" [711] H x 4-1/2" [114] D
Construction	Type 304 Stainless Steel - Satin Finish
Mounting	Surface Mounted
Capacity	4.0 Gal. (15.0 L) Waste Capacity

INSTALLATION

Mount unit on wall or partition using #10 self-threading screws (by others) through concealed mounting holes.

OPTIONS

N/A

WARRANTY

One (1) Year from date of Invoice