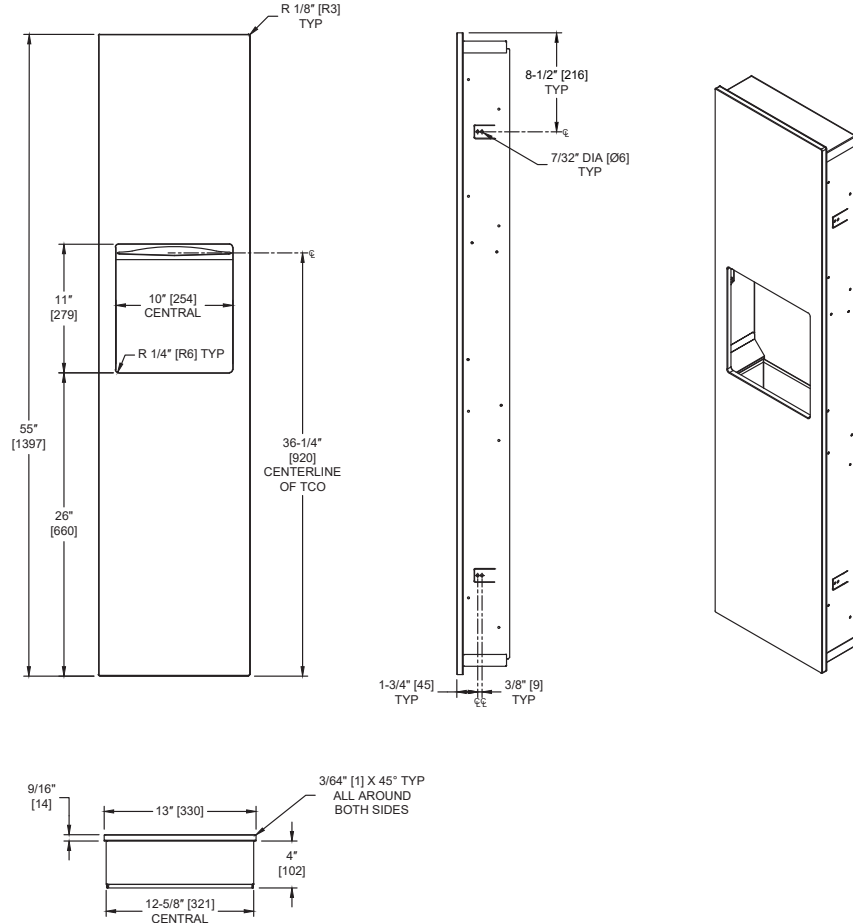


Piatto™ Completely Recessed Paper Towel Dispenser & Waste Receptacle – Matte Black Phenolic Door

Paper Towel Combination Units

Piatto

MasterFormat Section 10 28 13



Scan for Information



SUSTAINABILITY/LEED

MR 4.1 (1) EQ 4.1 (1)
MR 4.2 (1) EQ 4.2 (1)
MR 6 (1) EQ 4.4 (1)

NOTE:
ALL DIM'S INCH [MM]
ILLUSTRATION FOR REF ONLY AND NTS
FOR CLEANING INSTRUCTIONS SEE APPROPRIATE SECTIONS IN
PRODUCT CARE & MAINTENANCE BULLETIN (PCM) ON ASI WEBSITE

PRODUCT OVERVIEW

This sophisticated combination paper towel and waste receptacle cabinet is designed to be completely recessed into the plane of the washroom wall, highlighting the seamless design that defines Piatto™. The phenolic door is attached to the cabinet using field-adjustable, furniture quality hinges and is secured shut by an internal spring-loaded latch. All hardware is concealed giving the Piatto™ Collection its minimalist appeal. Dispenses 600 C-fold or 800 multi-fold paper towels. Paper towels are manually withdrawn through dispensing slot. Unit will continue to feed properly when reloaded with a partial load in place. Refill dispenser by unlatching door and replacing towels for an empty or partially empty unit. 4.2 gal. (16 L) stainless steel waste receptacle has a rolled edge finger hole for easy servicing. Door is Black Formica 909-58.

KEY FEATURES & SPECIFICATIONS

- Designed to be completely recessed with no protrusion from the wall at all
- Black phenolic door unique to Piatto™ adds elegance
- Furniture style hinges are field adjustable to ensure perfect fit
- All metal parts are made of Type 304 Stainless Steel
- All hardware, including the latch, is concealed
- Frame & Cabinet 20 gauge
- Fits with virtually no gap into a finished wall opening

OPERATION & MAINTENANCE

Towels are self-feeding until supply is depleted. An adjustable towel adapter ensures that towels feed properly until depleted. Refill dispenser by opening door and replacing towels for an empty or partially empty unit. Dispenser supply is replenished and waste container is emptied manually on cycles determined by maintenance needs.

TECHNICAL INFORMATION / PRODUCT PROPERTIES

Property	Value
Dimensions	13" [330] W x 55" [1397] H x 4-9/16" [116] D
Construction	Type 304 Stainless Steel Frame w/ Black Phenolic Door Furniture style hinges are field adjustable to ensure perfect fit
Mounting	Concealed Mounting
Capacity	Fits with virtually no gap into a finished wall opening

INSTALLATION

Mount unit in wall recess using four (4) #10 x 1-1/2" [M5x38] self-threading Pan Head screws (by others) through concealed mounting holes provided in Shim-less adjustable mounting tabs. For compliance with 2010 ADA Accessibility Standards install unit so that towel dispenser outlet is 48" [1219] maximum Above Finish Floor (AFF). For general utility mount unit 18-3/4" [476] AFF to bottom of unit. See OM & IG for complete installation instructions packed with unit.

Finished Wall Opening (FWO) required is 13-1/16" [332] W x 55-1/16" [1399] H x 4-11/16" [119] D minimum

WARRANTY

One (1) Year from date of Invoice