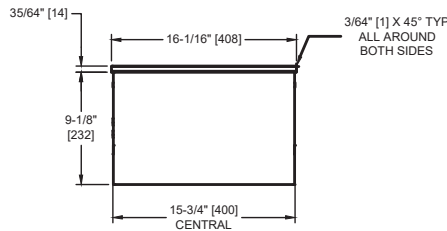
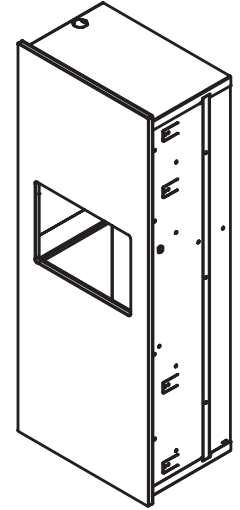
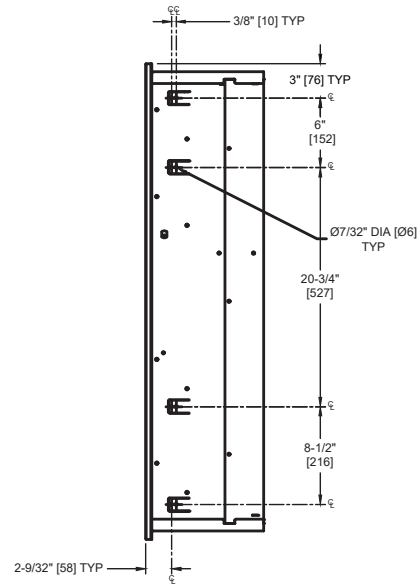
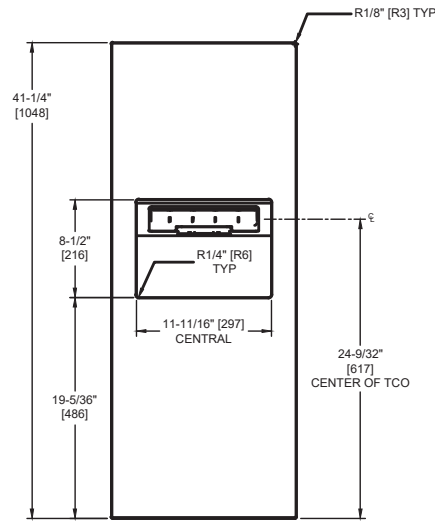


Piatto™ Completely Recessed Automatic Roll Paper Towel Dispenser & Waste Receptacle – Battery Operated – Matte Black Phenolic

Paper Towel Combination Units

Piatto

MasterFormat Section 10 28 13



Scan for Information



SUSTAINABILITY/LEED

MR 4.1 (1) MR 6 (1) EQ 4.2 (1)
MR 4.2 (1) EQ 4.1 (1) EQ 4.4 (1)

NOTE:
ALL DIM'S INCH [MM]
ILLUSTRATION FOR REF ONLY AND NTS
FOR CLEANING INSTRUCTIONS SEE APPROPRIATE SECTIONS IN
PRODUCT CARE & MAINTENANCE BULLETIN (PCM) ON ASI WEBSITE

PRODUCT OVERVIEW

This sophisticated automatic paper towel dispenser and waste receptacle is designed to be completely recessed into the plane of the washroom wall, highlighting the seamless design that defines Piatto™. The phenolic door is attached to the cabinet using field-adjustable, furniture quality hinges and is secured shut by an internal spring-loaded latch. All hardware is concealed giving the Piatto™ Collection its minimalist appeal. Proximity sensing no-touch unit holds and dispenses one 8" diameter [Ø203] x 8" wide [203] standard towel roll up to 800 ft. (244m) long and one 8" wide [203] stub roll up to 4" diameter [Ø102] and automatically changes over to main roll when finished with stub roll when feed tabs are properly engaged. Dispenser is powered by (4) D-size batteries (not supplied) and operates automatically to activate towel dispensing when hands are placed in sensor zone. At each activation unit feeds out a length of towel selected by owner by setting length, delay and paper saver switches. Waste receptacle has a capacity of 9.9 gallons (37.3 L) and is emptied manually. Door is Black Formica 909-58.

KEY FEATURES & SPECIFICATIONS

- Designed to be completely recessed with no protrusion from the wall at all
- Black phenolic door unique to Piatto™ adds elegance
- Furniture style hinges are field adjustable to ensure perfect fit
- Cabinet & Frame are made of 20 gauge Type 304 Stainless Steel
- All hardware, including the latch, is concealed
- Automatic - Battery Operated - "No Touch"
- Fits with virtually no gap into a finished wall opening

OPERATION & MAINTENANCE

Towels are dispensed one length at a time automatically when hands are placed in sensor zone until supply is depleted. Length of towel dispensed is predetermined by owner by making selections on three (3) three-position switches for length, delay, economy. Unit may be reloaded with a full roll to automatically start when finished with an existing partial roll and will continue to feed properly when reloaded with a full roll and partial roll is transferred to stub roll position. Refill dispenser by opening the door and replacing towel roll for an empty or partially empty unit. Dispenser supply is replenished and batteries are replaced manually on cycles determined by maintenance needs. LED indicates sensing and battery condition.

TECHNICAL INFORMATION / PRODUCT PROPERTIES

Property	Value
Dimensions	17-1/4" [438] W x 56" [1422] H x 10-1/4" [260] D
Construction	Type 304 Stainless Steel Frame w/ Black Phenolic Door Furniture style hinges are field adjustable to ensure perfect fit
Power	Batteries: Four (4) D-size
Operation	Automatic "No-Touch"
Mounting	Concealed Mounting
Capacity	Fits with virtually no gap into a finished wall opening

INSTALLATION

Mount unit in wall recess using eight (8) #10 x 1-1/2" [M5x38] self-threading Pan Head screws (by others) through concealed mounting holes provided in Shim-less adjustable mounting tabs. For compliance with 2010 ADA Accessibility Standards install unit so that towel dispenser outlet is 48" [1219] maximum Above Finished Floor (AFF). For general utility mount unit 30-3/4" [780] AFF to bottom of unit. See OM & IG for complete installation instructions packed with unit. For general utility install unit with top of towel dispenser opening between 49" [1245] and 56" [1422] AFF.

Finished Wall Opening (FWO) required is 16-1/8" [410] W x 41-5/16" [1049] H x 10-5/8" [270] D minimum

WARRANTY

One (1) Year from date of Invoice