



AMERICAN SPECIALTIES, INC.
 441 Saw Mill River Road, Yonkers, NY 10701
 (914) 476.9000 • (914) 476.0688
 www.americanspecialties.com

MODEL №: 6474-2

ISSUED: JAN 1987

REVISED: 28 APR 2022

SEMI-RECESSED WASTE RECEPTACLE

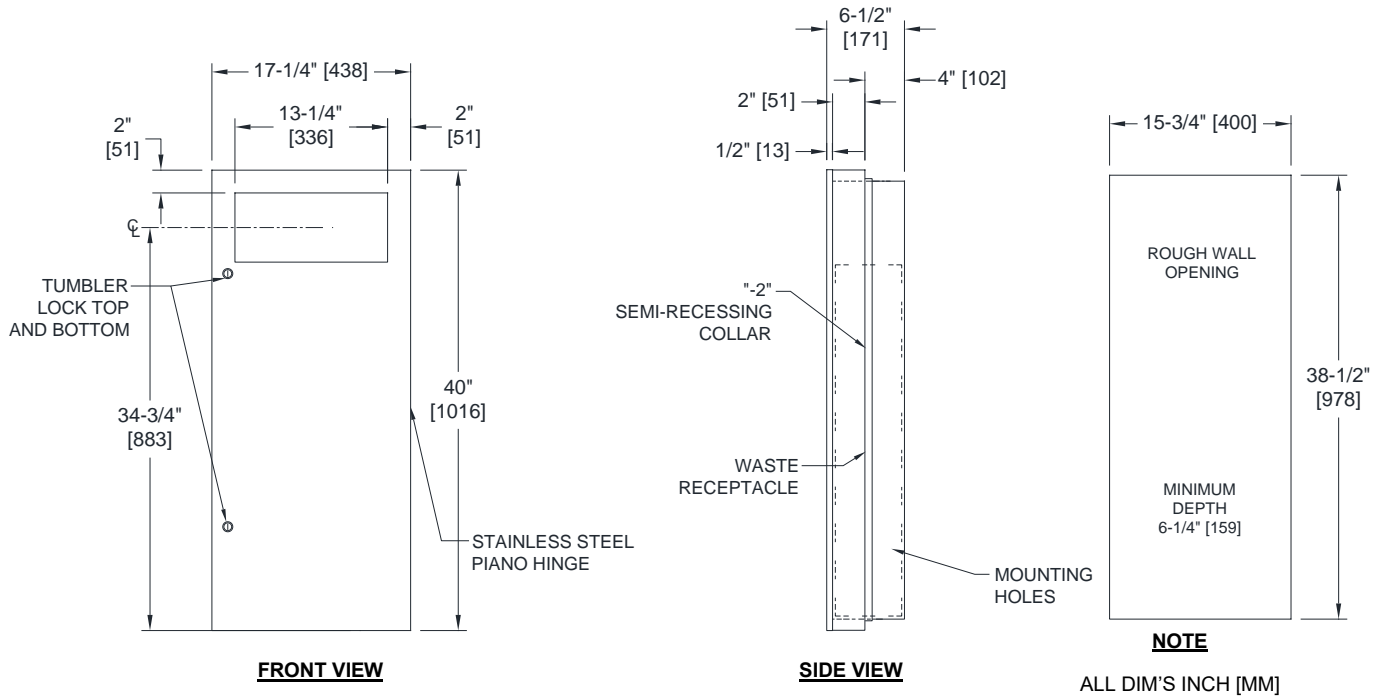


ILLUSTRATION FOR REF ONLY AND NTS

FOR CLEANING INSTRUCTIONS SEE APPROPRIATE SECTIONS IN PRODUCT CARE & MAINTENANCE BULLETIN (PCM) ON ASI WEBSITE

SPECIFICATION

Semi-Recessed Waste Receptacle shall have a waste capacity of 12 gal. (46L). Cabinet, door, skirt, and waste receptacle shall be fabricated from alloy 18-8 stainless steel, type 304. Full face door shall be 18 gage formed from one piece with no miters, welding or open seams on face with a 1/2" [13] return to wall and shall be attached to cabinet at side with a full length 3/16" Dia [Ø4,8] stainless steel multi-staked piano hinge and be held closed with two (2) tumbler locks keyed like other ASI washroom equipment. Cabinet shall be 20 gage and skirt shall be 22 gage. Waste receptacle shall be fabricated from heavy duty stainless steel and have a finger grip for easy servicing and removal. Structural assembly of all components shall be of welded construction. All exposed surfaces shall be satin finish (or Powder Coated (PC) Matte Black finish if suffix -41PC is added to Model №) and shall be protected during shipment with a PVC film easily removable after installation. Unit shall be supplied with a SR-2 collar (skirt) to convert to semi-recessed mounting.

Semi-Recessed Waste Receptacle shall be Model № 6474-2 (add -41PC for Matte Black) as manufactured by American Specialties, Inc., 441 Saw Mill River Road, Yonkers, NY 10701-4913

INSTALLATION

Mount unit in wall recess with № 10 self-threading flat, oval or pan head screws (by others) through concealed mounting holes provided. For compliance with 2010 ADA Accessibility Standards and 2015 ABA Standards install unit so that center of the waste receptacle opening is 48" [1219] Max Above Finished Floor (AFF). SR collar is installed on cabinet prior to mounting in wall recess following procedure described on SR Collar Data Sheet.

RWO required is 15-3/4" [400] W x 38-1/2" [978] H X 4-1/4" [102] D Min

OPERATION

Waste is inserted through opening at upper section of unit. Waste receptacle is emptied manually on a cycle determined by maintenance needs. Locking door prevents unauthorized access or removal.