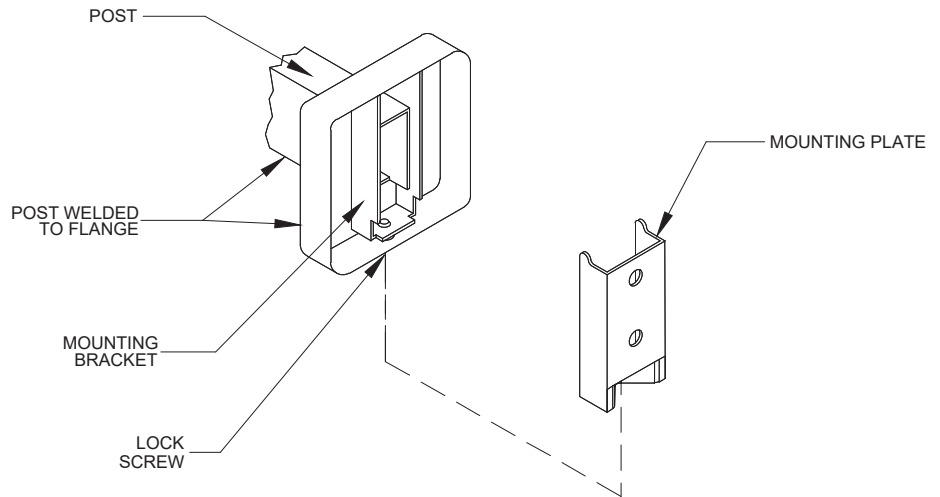
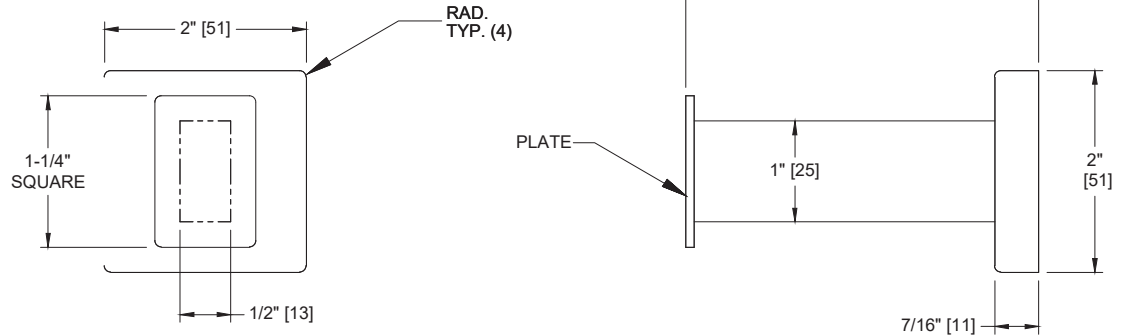


**Towel Pin – Surface Mounted, Satin Finish**

Specialty Accessories

MasterFormat Section 10 28 13



**NOTE:**  
ALL DIM'S INCH [MM]  
ILLUSTRATION FOR REF ONLY AND NTS

Scan for Information



**SUSTAINABILITY/LEED**

MR 4.1 (1) MR 6 (1) EQ 4.2 (1)  
MR 4.2 (1) EQ 4.1 (1) EQ 4.4 (1)

**PRODUCT OVERVIEW**

Fabricated from stainless steel. Extends 3-1/2" [89] from wall. Model Option: 7301-S – Satin Finish

**KEY FEATURES & SPECIFICATIONS**

- Type 304 Stainless Steel - Satin Finish
- Surface Mounted
- 18 Gauge mounting plate

**OPERATION & MAINTENANCE**

Stainless Steel washroom accessory products require regular surface cleaning, much the same as stainless steel sinks, pots and pans and eating utensils. As long as a regular cleaning schedule is followed, the best method is cleaning with a soft clean rag moistened with a mild detergent, followed by a water-moistened clean rag and then a dry rag. For a "new" look, surfaces can be wiped with lemon oil applied by a soft polishing cloth to maintain sheen. Stainless Steel should be protected against muriatic acid and caustic or abrasive materials, and harsh cleaning detergents with pH outside the range 7 ± 1.5. In the event such agents cause discoloration, polishing with a stainless steel cleaner such as 3M Stainless Steel Cleaner & Polish and a soft cloth on bright or mirror finishes, or for satin finish surfaces the Stainless Steel cleaner and 3M Scotch Brite pad either blue (less aggressive) or green (more aggressive) is recommended.

**TECHNICAL INFORMATION / PRODUCT PROPERTIES**

| Property     | Value                                   |
|--------------|---|
| Dimensions   | 2" [51] W x 2" [51] H x 3-1/2" [89] D   |
| Construction | Type 304 Stainless Steel - Satin Finish |
| Mounting     | Surface Mounted                         |
| Capacity     | N/A                                     |

**INSTALLATION**

Surface mount unit on door or wall using #10 self-threading screws (by others) through holes provided in mounting plate into suitable prepared mountings (by others) or other suitable mounting hardware (by others) to suit door or wall conditions. Hang post and flange assembly on mounting plate and tighten setscrew to lock unit to plate. For compliance with ICC/ANSI A- 117.1-2003 and 2010 ADA Accessibility Standards install unit with top of towel pin 48" [1219] maximum Above Finished Floor (AFF). For general utility install pin with centerline of mounting plate between 55" and 68" [1397 and 1727] AFF.

**ADDITIONAL INFORMATION**

N/A

**WARRANTY**

One (1) Year from date of Invoice