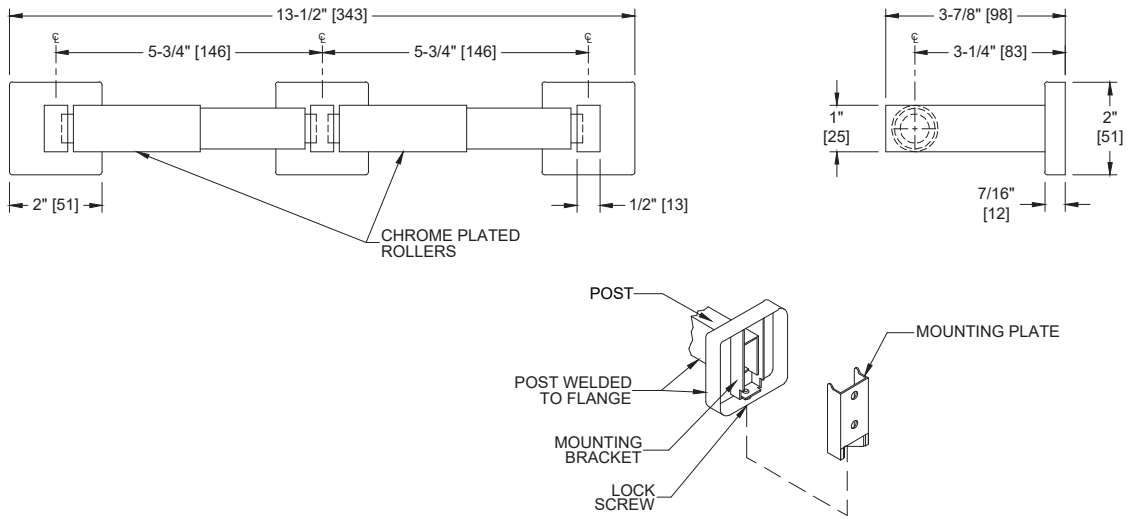


**Toilet Tissue Holder (Double) – Surface Mounted, Satin Finish**

Toilet Tissue Dispensers

MasterFormat Section 10 28 13



Scan for Information



**SUSTAINABILITY/LEED**

MR 4.1 (1) MR 6 (1) EQ 4.2 (1)  
MR 4.2 (1) EQ 4.1 (1) EQ 4.4 (1)

**NOTE:**  
ALL DIM'S INCH [MM]  
ILLUSTRATION FOR REF ONLY AND NTS

**PRODUCT OVERVIEW**

Type 304 satin finish stainless steel with chrome-plated roller. Heavy gauge concealed bracket mounts on wall. Holds 1800 sheet standard core roll. Holds 2 rolls. \*For theft-resistant spindle add R-009 after model number.

**KEY FEATURES & SPECIFICATIONS**

- Double Roll Dispenser
- Type 304 Stainless Steel - Satin Finish
- Surface Mounted
- Mounting plates (included) shall be 18 gauge steel

**OPERATION & MAINTENANCE**

Spring-loaded spindles revolve freely and hold rolls until cores are removed.

**TECHNICAL INFORMATION / PRODUCT PROPERTIES**

Property	Value
Dimensions	13-1/2" [343] W x 2" [51] H x 3-7/8" [98] D
Construction	Type 304 Stainless Steel - Satin Finish
Mounting	Surface Mounted
Capacity	Holds two (2) rolls of standard core roll toilet paper up to 6" Dia. [Ø152]

**INSTALLATION**

Surface mount unit on wall using #10 self-threading screws (by others) through holes provided in mounting plates into suitable prepared mountings (by others) or other suitable mounting hardware (by others) to suit wall conditions. Hang post and flange assemblies on mounting plates and tighten setscrews to lock units to plates. For compliance with ICC/ANSI A-117.1-2003 and 2010 ADA Accessibility Standards, install unit with centerline of roller at 19" [483] minimum AFF (Above Finished Floor) to 44" [1118] maximum AFF and centerline of dispenser no farther than 33" [838] from back wall behind commode or between 7" [178] and 9" [229] from front of commode. Recommended mounting height for general utility is 30" [762] AFF to centerline of roll and 14" [356] from front of commode to centerline of dispenser.

**OPTIONS**
**WARRANTY**

One (1) Year from date of Invoice