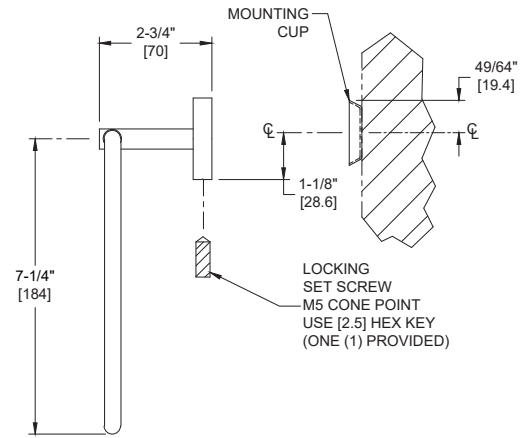
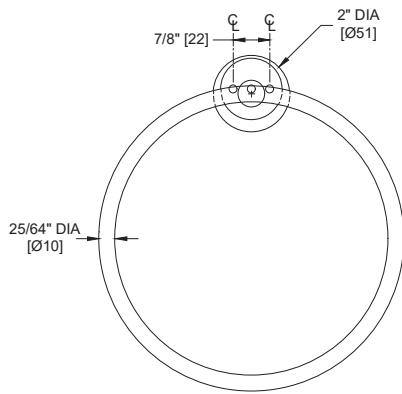
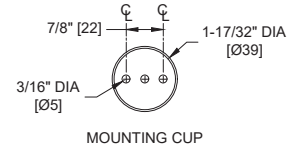
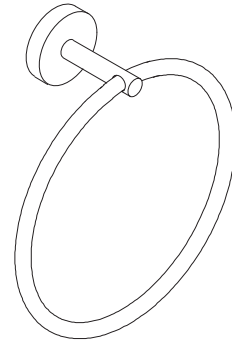
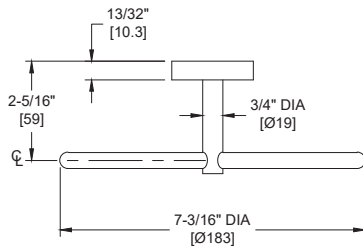


Towel Ring

Specialty Accessories

MasterFormat Section 10 28 13



NOTE:
ALL DIM'S INCH [MM]
ILLUSTRATION FOR REF ONLY AND NTS

Scan for Information



SUSTAINABILITY/LEED

MR 4.1 (1) MR 6 (1) EQ 4.2 (1)
MR 4.2 (1) EQ 4.1 (1) EQ 4.4 (1)

PRODUCT OVERVIEW

Designed for hand towels, this 7-3/16" Dia [Ø183] towel ring is formed from a 25/64" Dia [Ø10] satin-finish stainless steel tube. Extends 2-3/4" [70] from wall.

KEY FEATURES & SPECIFICATIONS

- Type 304 Stainless Steel - Satin Finish
- Surface Mounted
- 19 Gauge Post
- 19 Gauge Mounting Cup
- 11 Gauge Ring-Tube & Flange

OPERATION & MAINTENANCE

Towel ring swings in silencer bushings to allow easy access to hang or retrieve towel. Formed ring is held captive in bushings on post by spring tension and will hold bath or hand towels.

TECHNICAL INFORMATION / PRODUCT PROPERTIES

| Property | Value |
|--------------|--|
| Dimensions | 2" Dia Flange x 7-3/16" Dia Ring x 2-3/4" Projection [Ø51 x Ø183 x 70] |
| Construction | Type 304 Stainless Steel - Satin Finish Heavy Duty 11 gauge thickness |
| Mounting | Surface Mounted |
| Capacity | N/A |

INSTALLATION

Surface mount unit to finished wall or on door with two (2) M4x39 (#6 x 1-1/2") self-threading pan head screws (provided) through holes provided in mounting cup into plastic wall anchors (provided) or other suitably prepared mountings (by others) or other suitable mounting hardware (by others) to suit wall conditions. Clip flange onto mounting cup and tighten setscrew (provided) to lock it in place. For compliance with 2010 ADA Accessibility Standards install unit with top of towel ring 48" [1219] maximum Above Finished Floor (AFF) if clear floor reach access is provided or 46" [1168] max AFF if side reach access over an obstruction (e.g. vanity) with reach depth greater than 10" [254] and less than 25" [635] is only provided or 44" [1118] max AFF if forward reach over an obstruction with reach depth reater than 20" [508] and less than 25" [635] is only provided. For general utility install ring with centerline of mounting cup between 50" and 60" [1270 and 1524] AFF.

ADDITIONAL INFORMATION
WARRANTY

One (1) Year from date of Invoice