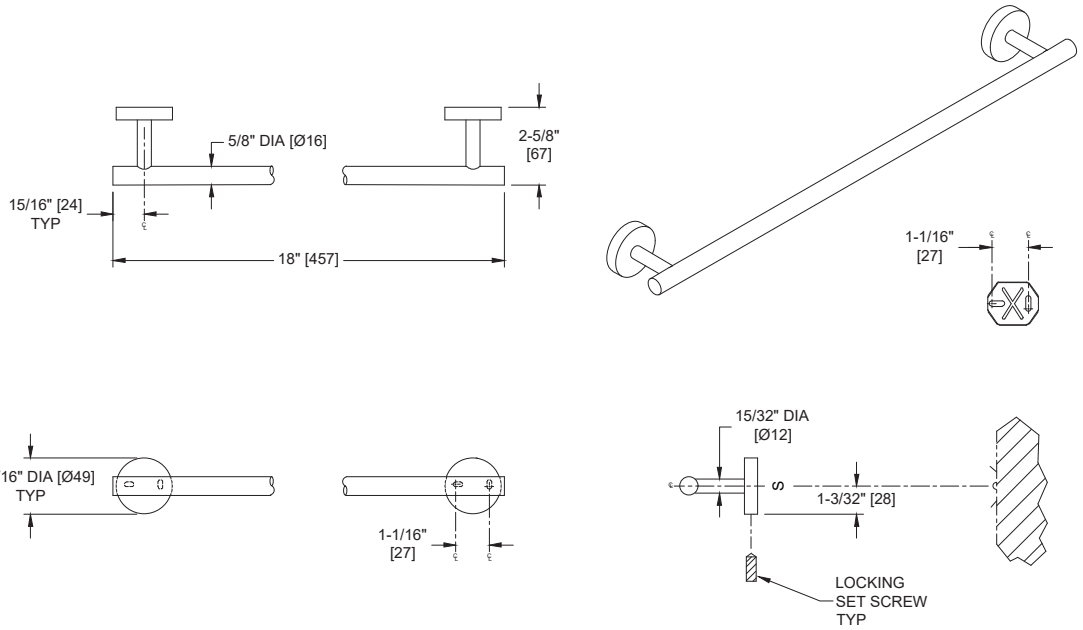


Round Towel Bar, 18"

Specialty Accessories

MasterFormat Section 10 28 13



Scan for Information



SUSTAINABILITY/LEED

MR 4.1 (1) MR 6 (1) EQ 4.2 (1)
MR 4.2 (1) EQ 4.1 (1) EQ 4.4 (1)

NOTE:
ALL DIM'S INCH [MM]
ILLUSTRATION FOR REF ONLY AND NTS

PRODUCT OVERVIEW

Satin-finish stainless steel tube and posts with round mounting brackets on ends. Extends 2-5/8" [67] from wall. 18" [457] in length, 5/8" [16] diameter.

KEY FEATURES & SPECIFICATIONS

- Type 304 Stainless Steel - Satin Finish
- Surface Mounted
- 20 Gauge Towel bar
- 22 Gauge Post
- 18 Gauge Bracket
- 18" Length

OPERATION & MAINTENANCE

Stainless Steel washroom accessory products require regular surface cleaning, much the same as stainless steel sinks, pots and pans and eating utensils. As long as a regular cleaning schedule is followed, the best method is cleaning with a soft clean rag moistened with a mild detergent, followed by a water-moistened clean rag and then a dry rag. For a "new" look, surfaces can be wiped with lemon oil applied by a soft polishing cloth to maintain sheen. Stainless Steel should be protected against muriatic acid and caustic or abrasive materials, and harsh cleaning detergents with pH outside the range 7 ± 1.5 . In the event such agents cause discoloration, polishing with a stainless steel cleaner such as 3M Stainless Steel Cleaner & Polish and a soft cloth on bright or mirror finishes, or for satin finish surfaces the Stainless Steel cleaner and 3M Scotch Brite pad either blue (less aggressive) or green (more aggressive) is recommended.

TECHNICAL INFORMATION / PRODUCT PROPERTIES

| Property | Value |
|--------------|--|
| Dimensions | 5/8" diameter [Ø16] x 18" [457] x 2-5/8" [67] Projection |
| Construction | Type 304 Stainless Steel - Satin Finish |
| Mounting | Surface Mounted |
| Capacity | |

INSTALLATION

Surface mount unit to finished wall or on door with four (4) #6 x 1-1/2" [M4x39] pan head self-threading screws (provided) through holes provided in wall brackets into plastic wall anchors (provided) or other suitably prepared mountings (by others) or other suitable mounting hardware (by others) to suit wall conditions. Clip flanges onto wall brackets and tighten setscrews to lock them in place. For compliance with 2010 ADA Accessibility Standards install unit with top of towel rod 48" [1219] maximum Above Finished Floor (AFF) if clear floor reach is provided or 46" [1168] MAX AFF if side reach access over an obstruction (e.g. vanity) with reach depth greater than 10" [254] and less than 25" [635] is only provided or 44" [1118] max AFF if forward reach over an obstruction (e.g. commode) with reach depth greater than 20" [508] and less than 25" [635] is only provided. For general utility install towel rod with centerline of mounting plates at 55" [1397] AFF.

ADDITIONAL INFORMATION

N/A

WARRANTY

One (1) Year from date of Invoice