



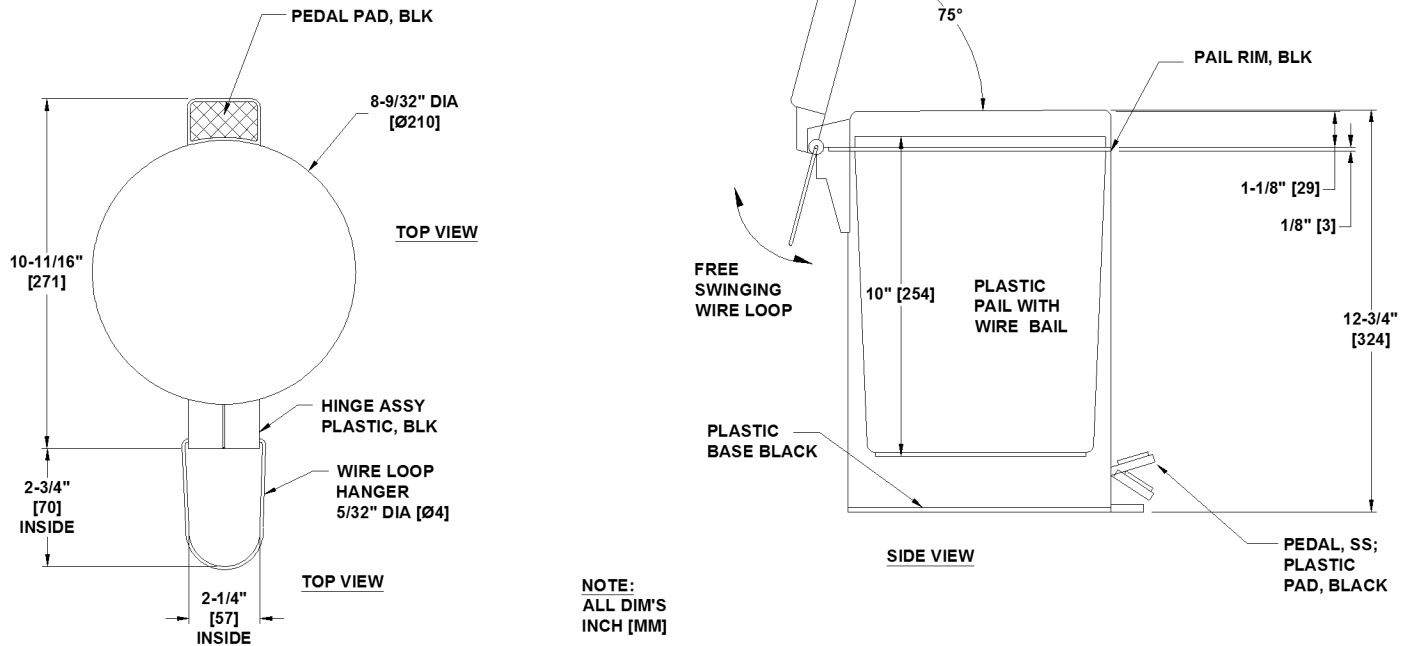
AMERICAN SPECIALTIES, INC.
 441 Saw Mill River Road, Yonkers, NY 10701
 (914) 476.9000 • (914) 476.0688
 www.americanspecialties.com

MODEL №: 7317-S

ISSUED: 03/16

REVISED:

COVERED WASTE RECEPTACLE



SPECIFICATION

Omara Collection Free Standing Covered Waste Receptacle with Pedal Opening shall hold 2 gallons (7.6 liters). Unit shall be 22 gauge stainless steel type 304 alloy 18-8 with satin finish on all exposed surfaces and be protected during shipment with a clear plastic bag inside box. Receptacle shall have no exposed fastening devices or spot welded seams. Receptacle shall have a reusable heavy gauge PVC interior leak proof pail with plated steel lifting bail handle.

Covered Waste Receptacle shall be Model № 7317-S of American Specialties, Inc., 441 Saw Mill River Road, Yonkers, New York 10701-4913

INSTALLATION

Place unit on floor in convenient location for easy access and general utility.

OPERATION

User opens lid by depressing foot pedal and deposits waste material. Maintenance schedule determines trash removal cycle. Unit is emptied by removing either disposable bag (supplied by others) or pail to empty into appropriate bulk collection container.