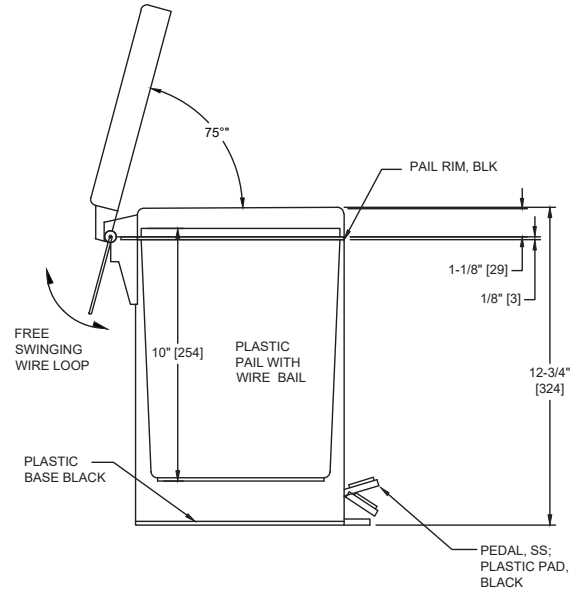
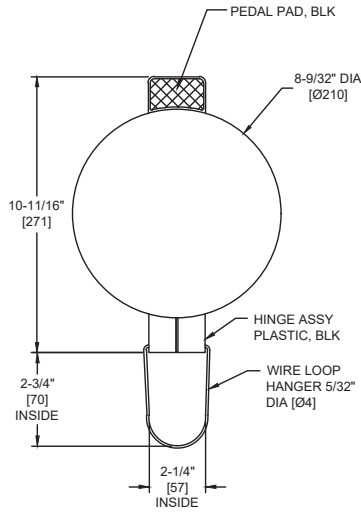


Waste Receptacle, Pedal Activated Cover – Bright Finish

Waste Receptacles

MasterFormat Section 10 28 13



Scan for Information



SUSTAINABILITY/LEED

MR 4.1 (1) MR 6 (1) EQ 4.2 (1)
MR 4.2 (1) EQ 4.1 (1) EQ 4.4 (1)

NOTE:
ALL DIM'S INCH [MM]
ILLUSTRATION FOR REF ONLY AND NTS

PRODUCT OVERVIEW

User opens lid by depressing foot pedal and deposits waste material. Unit is emptied by removing either disposable bag (supplied by others) or pail to empty into appropriate bulk collection container. Plastic pail with wire bail included. Bright-finish stainless steel. Capacity: 2 gal. (7.6 L). Fabricated of 22 gauge alloy 18-8 type 304 stainless steel.

KEY FEATURES & SPECIFICATIONS

- "No Touch" - Pedal Activated cover
- Compact Size
- Type 304 Stainless Steel - Bright Finish
- Floor Standing
- 2.0 Gal. (7.6 L) Waste Capacity

OPERATION & MAINTENANCE

User opens lid by depressing foot pedal and deposits waste material. Maintenance schedule determines trash removal cycle. Unit is emptied by removing either disposable bag (supplied by others) or pail to empty into appropriate bulk collection container.

TECHNICAL INFORMATION / PRODUCT PROPERTIES

Property	Value
Dimensions	8-9/32" diameter [Ø210] x 12-3/4" [324] x 10-11/16" [271]
Construction	Type 304 Stainless Steel - Bright Finish
Mounting	Floor Standing
Capacity	2.0 Gal. (7.6 L) Waste Capacity

INSTALLATION

Place unit on floor in convenient location for easy access and general utility.

OPTIONS

N/A

WARRANTY

One (1) Year from date of Invoice