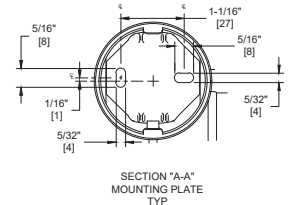
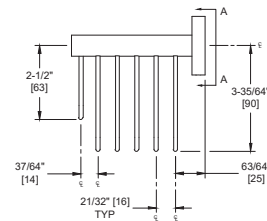
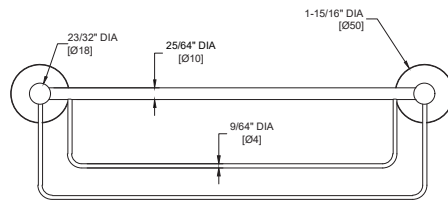
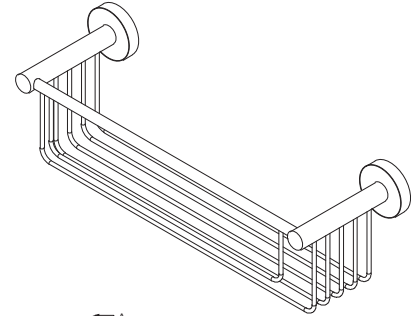
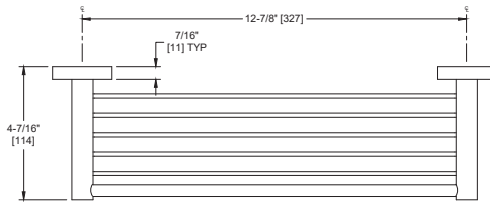


Sundries Shelf

Shelves

MasterFormat Section 10 28 13



Scan for Information



SUSTAINABILITY/LEED

MR 4.1 (1) MR 6 (1) EQ 4.2 (1)
MR 4.2 (1) EQ 4.1 (1) EQ 4.4 (1)

NOTE:
ALL DIM'S INCH [MM]
ILLUSTRATION FOR REF ONLY AND NTS
FOR CLEANING INSTRUCTIONS SEE APPROPRIATE SECTIONS IN
PRODUCT CARE & MAINTENANCE BULLETIN (PCM) ON ASI WEBSITE

PRODUCT OVERVIEW

Shelf has open spaces between wires to allow excess water to drain away from items loaded and promote drying. Properly installed basket will support up to 10 lbs (4.5 kg) of bath products. Support side posts are 23/32" Dia. [Ø18] solid rod with polished cast mounting flanges bolted on. Finish on all visible stainless steel surfaces is satin.

KEY FEATURES & SPECIFICATIONS

- Type 304 Stainless Steel - Satin Finish
- Surface Mounted

OPERATION & MAINTENANCE

Shelf has open spaces between wires to allow excess water to drain away from items loaded and promote drying. Properly installed basket will support up to 10 lbs (4.5 kg) of bath products.

TECHNICAL INFORMATION / PRODUCT PROPERTIES

Property	Value
Dimensions	12-7/8" [372] D x 4-7/16" [114] W x 3-35/64" [90] L
Construction	Type 304 Stainless Steel - Satin Finish
Mounting	Surface Mounted

INSTALLATION

Surface mount unit on wall using four (4) #6 x 1-3/8" [M4x35] self-threading screws (supplied) through holes provided in mounting plates into anchors (supplied) in suitably prepared walls (by others) or other suitable mounting hardware (by others) to suit wall conditions. Waterproof screw penetrations through tiles in wet area installations. Hang shelf post and flange assemblies on mounting plates and tighten setscrews to lock unit to plates with hex key provided. For compliance with 2010 ADA Accessibility Standards install unit with top of shelf 48" [1219] maximum Above Finished Floor (AFF). If clear floor reach access is provided or 46" [1168] maximum AFF or if side reach access over an obstruction (e.g. shower bench) with reach depth greater than 10" [254] and less than 25" [635] is only provided or 44" [1118] maximum AFF if forward reach over an obstruction with reach depth greater than 20" [508] and less than 25" [635] is only provided. For general utility mount unit with top rim of shelf 55" [1397] to 65" [1651] above shower floor.

SCHEDULE OF AVAILABILITY

No Options Available

WARRANTY

One (1) Year from date of Invoice