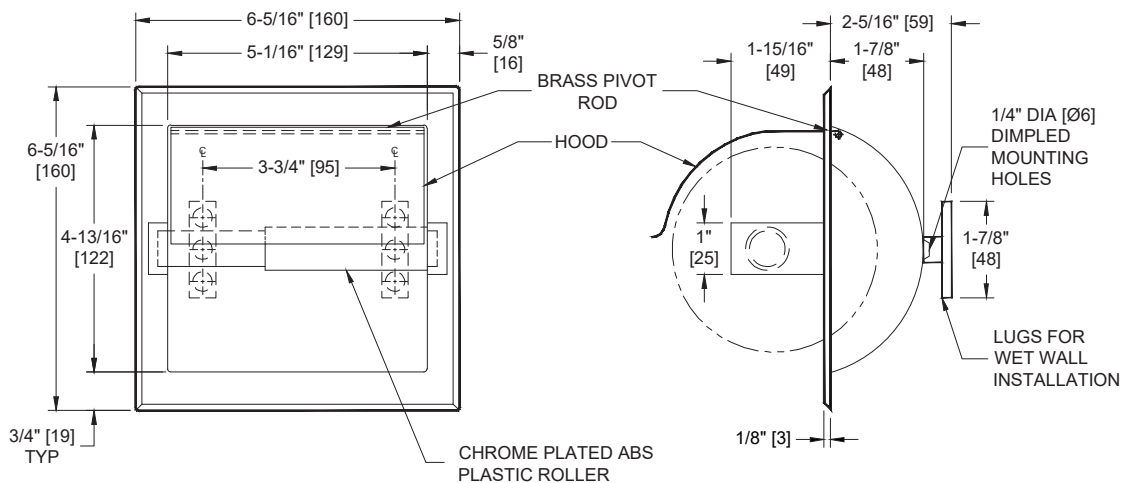


Toilet Tissue Holder with Hood (Single) – Recessed, Bright

Toilet Tissue Dispensers

MasterFormat Section 10 28 13



Scan for Information



SUSTAINABILITY/LEED

MR 4.1 (1) MR 6 (1) EQ 4.2 (1)
MR 4.2 (1) EQ 4.1 (1) EQ 4.4 (1)

NOTE:
ALL DIM'S INCH [MM]
ILLUSTRATION FOR REF ONLY AND NTS

PRODUCT OVERVIEW

Includes hood. Bright Finish. Recessed Toilet Paper Holder holds and dispenses all standard core roll tissue up to 6" diameter [Ø152] roll. Fabricated of stainless steel type 304 alloy 18-8. Roller is chrome plated high impact resistant ABS plastic and spring-loaded. If drywall installation is required, add suffix "D" to model number. If wetwall installation is required, add "W" to model number (no clamp is required for wetwall). Optional finish and mounting style must be specified as bright and wet or drywall. Specify finish and mounting by adding code suffixes to model number. -B: Bright Finish -D: Drywall Holes -W: Wetwall Lugs. To add theft-resistant spindle guard, order Model No R-009 separately.

KEY FEATURES & SPECIFICATIONS

- Single Roll - Hooded Dispenser
- Type 304 Stainless Steel - Bright Finish
- Recessed

OPERATION & MAINTENANCE

Spring-loaded spindles revolve freely and hold rolls until cores are removed.

TECHNICAL INFORMATION / PRODUCT PROPERTIES

Property	Value
Dimensions	6-5/16" [160] x 6-5/16" [160]
Construction	Type 304 Stainless Steel - Bright Finish
Mounting	Recessed
Capacity	Holds one (1) roll of standard core roll toilet paper up to 6" Dia. [Ø152]

INSTALLATION

For Standard Dry Wall Recessed Mounting: Use two (2) #10 stainless steel Philips flat or oval head self-threading or wood screws (by others) of suitable length to penetrate blocking in back of RWO by approximately 1/2" [13]. Apply a continuous bead of silicone sealant (by others) behind flange. Tighten screws to hold flange tight against finished wall face. Wipe off excess sealant immediately. Rough Wall Opening (RWO) required is 5-1/2" [140] W x 5-1/2" [140] H x 2" [51] D minimum

OPTIONS

Installation Options:

Optional Method for Dry Wall Mounting: Locate unit and transfer hole positions to wall. Drill two (2) holes appropriate for expansion anchors into masonry substrate. Tap proper expansion anchors (provided by others to suit wall conditions) into wall to be flush with wall face. Use two (2) stainless steel Philips flat or oval head #10AB self-threading screws (provided by others to suit wall conditions) through dimpled holes at back of shell. Tighten screws to hold unit tight against finished wall face.

For compliance with 2010 ADA Accessibility Standards Install unit with centerline of roller 19" [483] min AFF to 42" [1067] max AFF and 7" [178] min to 9" [229] max from front of commode to centerline of dispenser.

WARRANTY

One (1) Year from date of Invoice