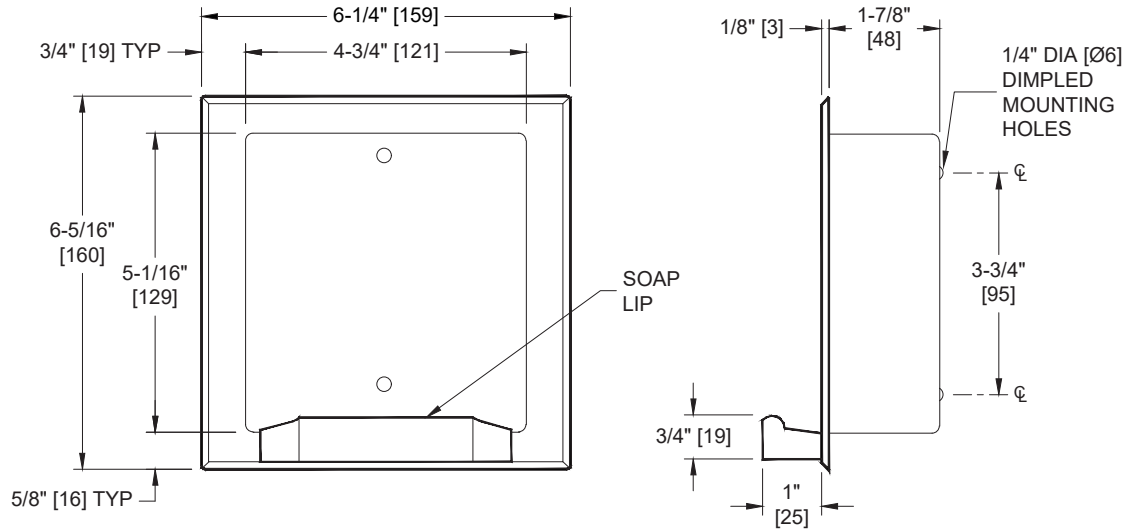


Soap Dish – Recessed, Bright Finish

Shower/Tub Accessories

MasterFormat Section 10 28 13



Scan for Information



SUSTAINABILITY/LEED

MR 4.1 (1) MR 6 (1) EQ 4.2 (1)
MR 4.2 (1) EQ 4.1 (1) EQ 4.4 (1)

NOTE:
ALL DIM'S INCH [MM]
ILLUSTRATION FOR REF ONLY AND NTS

PRODUCT OVERVIEW

Seamless one-piece construction fabricated of 22 gauge stainless steel type 304. Provided with a raised lip to retain soap. Model Option Notes: Optional finish and mounting style must be specified as either Bright or Satin, and Wet or Drywall. (-D for Drywall Holes / -W for Wetwall Lugs) Specify finish and mounting by adding code suffixes to model number, i.e.: 7404-BD – Bright finish with Drywall Holes 7404-BW – Bright finish with Wetwall Lugs 7404-SD – Satin finish with Drywall Holes 7404-SW – Satin finish with Wetwall Lugs

KEY FEATURES & SPECIFICATIONS

- Seamless one piece construction
- Type 304 Stainless Steel - Satin Finish
- Recessed
- Options for wet-wall and dry-wall

OPERATION & MAINTENANCE

A stainless steel raised lip prevents soap from slipping out of holder.

TECHNICAL INFORMATION / PRODUCT PROPERTIES

Property	Value
Dimensions	6-1/4" [159] W x 6-5/8" [160] H x 2" [51] D
Construction	Type 304 Stainless Steel - Satin Finish
Mounting	Recessed
Capacity	

INSTALLATION

screws (provided by others to suit wall conditions) of suitable length to penetrate blocking at sides of RWO by approximately
 Rough Wall Opening (RWO) required is 5-1/2" [140] W x 5-1/2" [140] H x 2" [51] D

ADDITIONAL INFORMATION

Options
 7404-BD – Bright finish with Drywall Holes
 7404-BW – Bright finish with Wetwall Lugs
 For Wet Wall Recessed Mounting: Slop grout into rough wall opening. Apply grout to back of unit and on perforated lugs and push unit into opening to seat flange flush with wall face. Allow unit to set and grout to cure before use.
 For Standard Dry Wall Recessed Mounting: Use two (2) No 10 stainless steel Philips flat or oval head self tapping or wood screws (by others) of suitable length to penetrate blocking in back of RWO by approximately 1/2" (13). Apply a continuous bead of silicone sealant (by others) behind flange and under screw heads. Tighten screws to hold flange tight against finished wall face. Wipe off excess sealant immediately.
 Optional Method for Dry Wall Recessed Mounting: Order separate item Model No 39 dry wall clamp. Loosely attach clamp to the back of the unit with two (2) stainless steel Philips flat or oval head No 10B (or 10AB or 10BP) self tapping screws (provided by others to suit wall conditions) through dimpled holes at back of shell. Apply a continuous bead of silicone sealant (by others) behind flange and under screw heads. Insert into RWO and adjust clamp so that it grips inside wall surface through opening. Secure accessory to clamp and wall by tightening screws. Wipe off excess sealant immediately.
 For compliance with 2010 ADA Accessibility Standards install unit with top of the soap shelf at 48" [1219] MAX AFF. Locate on adjacent wall to any shower seat or tub seat (either supplied separately or by others) and within 27" [1219] from wall behind seat to centerline of soap holder.

WARRANTY

One (1) Year from date of Invoice