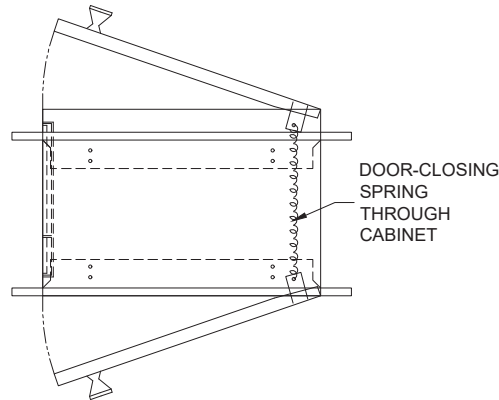
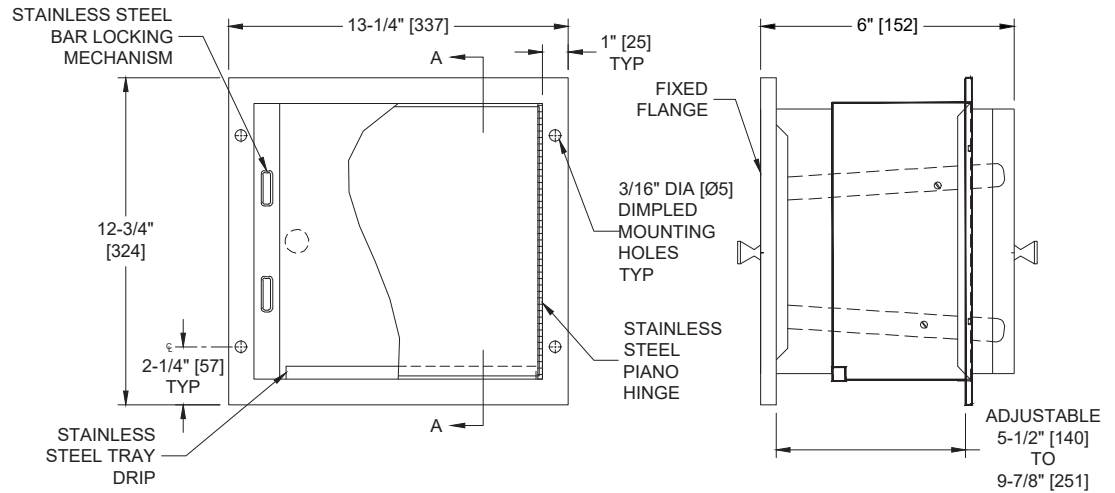
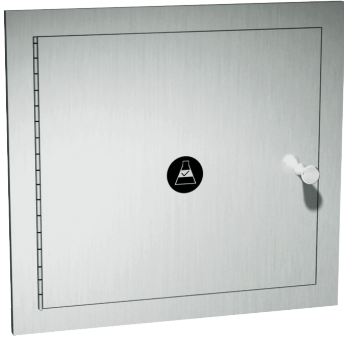


Specimen Pass Box with Extension Sleeve & Flange – Recessed

Healthcare Accessories

MasterFormat Section 10 28 13



NOTE:
ALL DIM'S INCH [MM]
ILLUSTRATION FOR REF ONLY AND NTS

Scan for Information



SUSTAINABILITY/LEED

MR 4.1 (1) MR 6 (1) EQ 4.2 (1)
MR 4.2 (1) EQ 4.1 (1) EQ 4.4 (1)

PRODUCT OVERVIEW

Provides a convenient passage from patient area into laboratory. Specimens are deposited through one side of unit and are retrievable on other side when first door is returned to closed position. Stainless steel drip tray is removable for cleaning. Internal latch prevents simultaneous door opening. Same as Model #8154 (Recessed Specimen Pass Box) but also includes Model #8155 (Extension Sleeve & Flange) (otherwise both sold separately).

KEY FEATURES & SPECIFICATIONS

- Specimen Pass Box with Extension Sleeve & Flange – Recessed
- Cabinet & door 18 gauge Flange 22 gauge both type 304 stainless steel - Satin Finish
- Heavy duty Stainless Steel multi-staked 3/16" diameter [Ø5] piano hinge

OPERATION & MAINTENANCE

Specimen containers (not supplied) are manually placed on tray by user through one side of unit and are retrievable on other side when first door is returned to closed position. Interlocked compartment doors preserve user privacy by preventing opening of opposite door until first door is fully closed. Drip tray is removable for cleaning.

TECHNICAL INFORMATION / PRODUCT PROPERTIES

Property	Value
Dimensions	13-1/4" {337} W x 12-3/4" [324] H x 6" [152] D
Construction	Type 304 Stainless Steel - Satin Finish
Mounting	Recessed
Capacity	N/A

INSTALLATION

Mount unit in Partition Cutout (PCO) or through walls ranging in thickness from 5-1/2" [140] to 9-7/8" [251]. Fixed flange is secured first through four (4) dimpled mounting holes that accommodate #10 self-threading Philips flat head (or oval head) screws (supplied). Adjustable flange is then secured to opposite side of partition in same manner. For compliance with 2010 ADA Accessibility Standards, install unit with centerline of door pulls at 48" [1219] maximum Above Finished Floor (AFF) if clear floor access is provided or 46" (1168) maximum Above Finished Floor (AFF) if side reach over an obstruction (i.e. vanity) is only provided. For general utility install unit with centerline of doors at 54" [1372] AFF.

Rough Wall Opening (RWO) required is 11-1/2" [292] W x 11" [279] H x 9-1/2" [241] D minimum

WARRANTY

One (1) Year from date of Invoice