

**Folding Shower Seat, Padded – L Shaped – Left Hand, ADA**

Shower/Tub Accessories

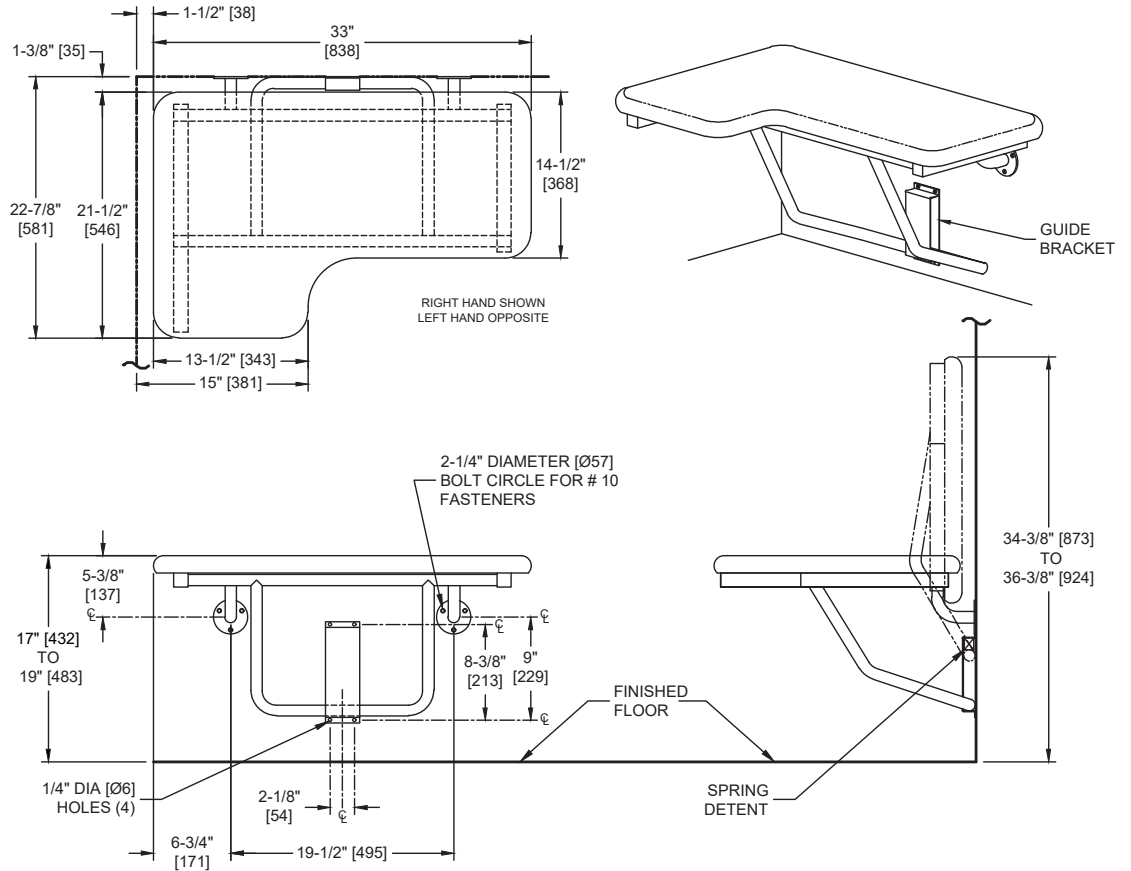
MasterFormat Section 10 28 13



Scan for Information



**SUSTAINABILITY/LEED**



**NOTE:**  
ALL DIM'S INCH [MM]  
ILLUSTRATION FOR REF ONLY AND NTS

**PRODUCT OVERVIEW**

(Left Hand) Meets 2010 ADA Accessibility Standards and the needs of the physically disabled and elderly. Seat is 1/2" [13] thick, one piece solid, white colored, black core phenolic. Left hand seat with cushion covered in off-white Naugahyde®. Frame, support legs, flanges, and bracket are type 304 satin finish stainless steel. Phenolic seat ONLY is field reversible. Seat measures 33" [838] wide and projects 22-7/8" [581] from wall.

**KEY FEATURES & SPECIFICATIONS**

- L Shaped - Left Handed - ADA Compliant
- Seat folds up when not in use - Surface Mounted - Requires only one hand operation to manually lower to horizontal position for use or raise for departure and arrival.
- Seat made w/Off-White Naugahyde Padding, on a marine grade wood.
- Support load of 250 lbs to 500 lbs maximum if installed properly
- Body made of Type 304 Stainless Steel
- 33" [838] Wide

**OPERATION & MAINTENANCE**

Fold-up Shower Seat requires only one hand operation to manually lower to horizontal position for use or raise for departure and arrival. Guide bracket with spring detent prevents seat from dropping and provides positive support in usage position as well as spring locked storage position.

**TECHNICAL INFORMATION / PRODUCT PROPERTIES**

Property	Value
Dimensions	Fold Down: 33" [838] W x 17" [432] to 19" [483] H x 22-7/8" [581] D Fold Up: 18" [457] W x 34-3/8" [873] to 36-3/8" [924] H x 22-7/8" [581] D
Construction	Seat made w/Off-White Naugahide Padding, on a marine grade wood. Body made of Type 304 Stainless Steel
Mounting	Surface Mounted
Materials	<p><u> Tubes:</u> 18 gauge (.048" [1,2] thick) type 304 stainless steel, 1" Dia. [Ø25] and 1-1/4" [32] square. Unitized all welded construction. Exposed surfaces are satin finish. Edges and corners are radiused and burr free.</p> <p><u> Flanges:</u> 3/16" [4,8] type 304 stainless steel. Exposed surfaces have satin finish. Edges and corners are radiused and burr free.</p> <p><u> Brackets:</u> 16 gauge (.06" [1,52] thick) type 304 stainless steel. Exposed surfaces are satin finish. Edges and corners are radiused and burr free.</p> <p><u> Seat:</u> Solid Phenolic 5/16" [8] x 20" [508] x 14-1/2" [368]. Exposed surfaces have semi-gloss laminate white colored top and bottom surfaces and shall have black edges. Corners are radiused and burr free. Seat top shall have three (3) slots 1/2" [13] wide x 12" [305] long for water drainage and user slip resistance. Mounting hardware is stainless steel dome head carriage bolts with acorn nuts on bottom.</p> <p><u> Spring:</u>Stainless steel wire type 304 OD 27/32" [Ø21,6] coils x 2-1/4" [57,2] body length x .085" Dia. [Ø2,2] wire.</p>

**INSTALLATION**

This unit is surface mounted. Installer/contractor must provide concealed anchor plate or blocking as specified in construction documents or as required by local building codes prior to wall finishing. Fasten unit flanges and guide bracket to concealed anchor or blocking plate with appropriate hardware. Note that concealed mounting plates or anchors and hardware are not supplied with this product and must be specified separately. Ensure that mounting configuration complies with local building codes.

**CAPACITY**
**WARRANTY**

One (1) Year from date of Invoice