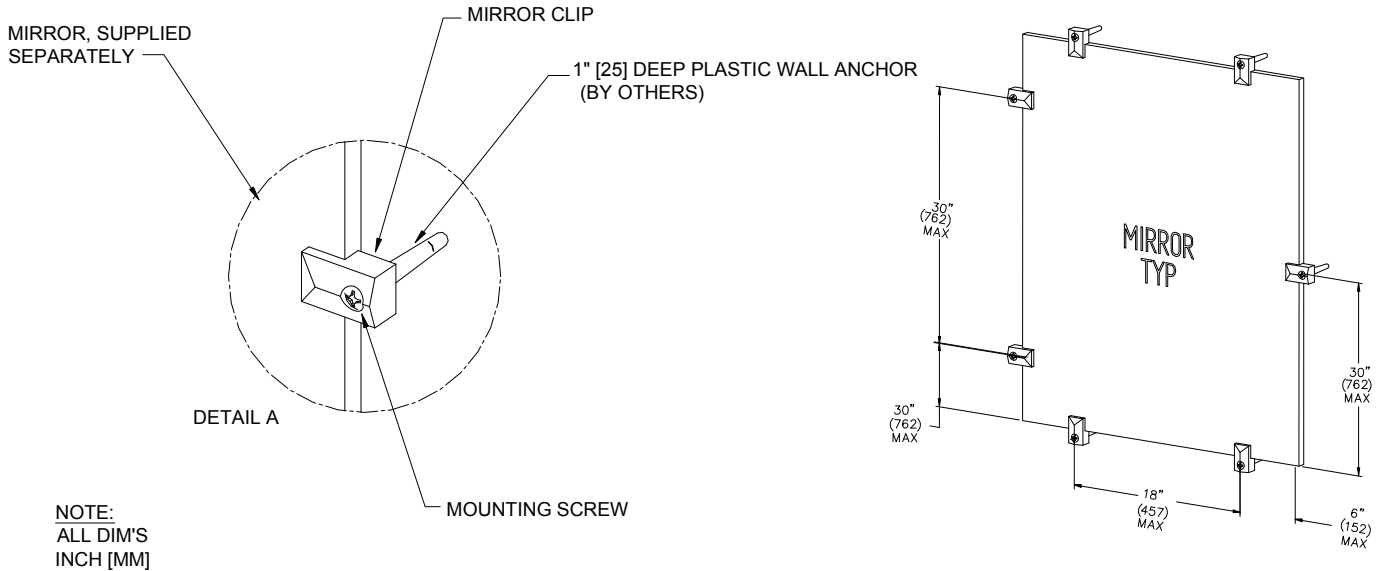




AMERICAN SPECIALTIES, INC.
 441 Saw Mill River Road, NY 10701
 (914) 476.9000 • (914) 476.0688
 www.americanspecialties.com

MODEL №:	8287-001
ISSUED:	12/12
REVISED:	12 Feb 2013

INSTALLATION GUIDE—MOUNTING CLIPS KIT



SPECIFICATION

Frameless Mirror mounting kit shall contain six (6) clear plastic clips and six (6) mounting screws № 6 x 1-1/4" (Ø3.5 x 32) Philips pan head plated steel. Mirror mounting kit shall be suitable to install one frameless mirror panel up to 12.5 ft² (1.16 m²) and with linear dimensions equal to or less than 30" (762) W and 60" (1524) H. Mirrors larger than 12.5 ft² (1.16 m²) or with either linear H or W dim larger than maximum edge and screw centers spacing shall require multiple kits.

Frameless Mirror Mounting Kit shall be Model № 8287-001 of American Specialties, Inc., 441 Saw Mill River Road, Yonkers, New York 10701-4913

INSTALLATION

Surface mount mirror panel to wall using kit hardware and any required anchors supplied by installer. Observe and do not exceed maximum clip spacing as diagrammed. For compliance with 2010 ADA Accessibility Standards install unit with bottom edge of reflecting surface no higher than 40" (1016) maximum above finished floor (MAX AFF).

OPERATION

Clips and screws provided are suitable for installation on solid wood surfaces or thin skin hollow wood doors where blocking has been provided in appropriate locations. For hollow doors without blocking, dry wall or masonry construction the installer must provide suitable anchors and/or alternate fasteners. Clips will hold mirror for safe service when installed correctly.